

Trim Manufacturers for
1949-1989 Classic Cars



Tel: +44 (0)1242 230995

Email: sales@john-skinner.co.uk

TRIUMPH

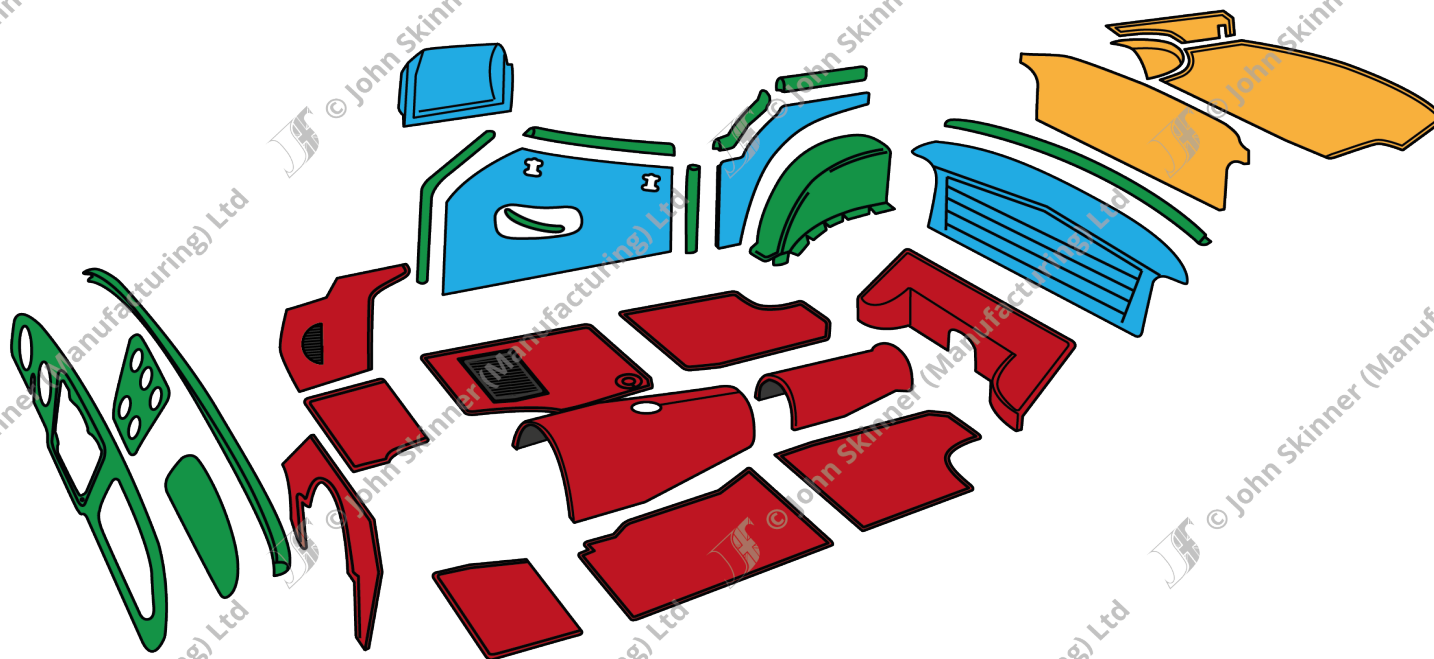
TR3A (Early)

(Pre TS 60,000)

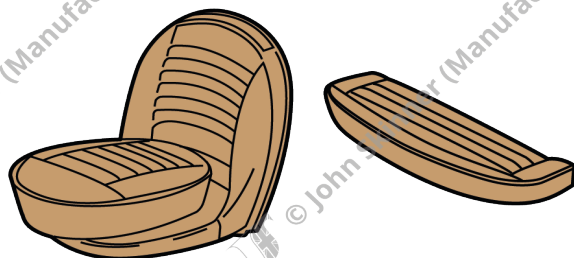
Parts & Prices Catalogue

2019 Prices

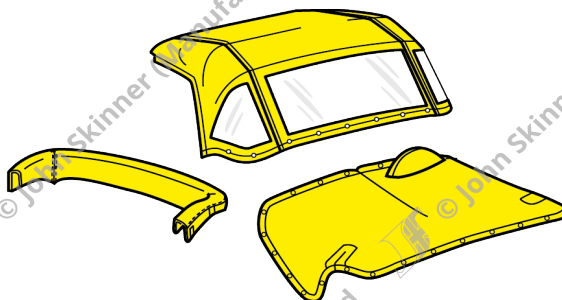
Main Cockpit & Boot Trunk Area



Seats



Weather Equipment / Hardtop Area



KEY

- | | |
|--|--|
|  Trimmed Panels |  Boot / Trunk Area |
|  Re-Trim Kits |  Seats & Hardware |
|  Carpets & Flooring |  Weather Equipment / Hardtop Area |

TR3A (Early) Pre TS 60,000

Years of Manufacture: 1957 - 1960

Number Produced: -

Chassis Number Range: TS 22,014 - TS 60,000

(Please note, due to inconsistencies in manufacture, these details are given as a guideline only.)

Information from: Piggott, B. (1991) Original Triumph TR - The Restorer's Guide to TR2, TR3, TR3A, TR4, TR4A, TR5, TR250, TR6. Bidford: Bay View Books Ltd.

Original Trim Colours

Black

Matador Red

Midnight Blue

Silverstone Grey

Targo Purple

Beige

Piping - Triumph TR3A models featured White Piping as original on the Trim Panels & Seat Covers.

Samples are available on request. We recommend that you contact us for samples, as colours can be mis-represented on screen and in print.

The original trim colours as detailed here are correct to the best of our knowledge. Please contact us to discuss if you have additional information outside of this colour range.

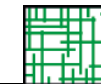
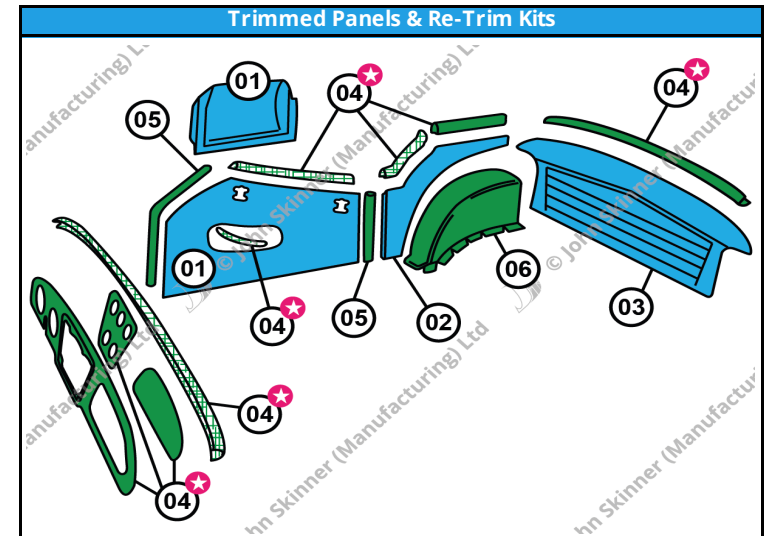
Trimmed Panels						
No.	Description	Units	Trim Material/ Orientation	Part No.	Price (£) (Orig Col)	Price (£) (Non Orig Col)
01	Door Panels & Pockets <i>(Pockets also available to purchase separately, see Item 16)</i>	Car Set	Vinyl	TR-030300	£137.00	£148.35
			Leather	TR-030302-G	£284.53	£308.72
02	Quarter B Post Panels	Car Set	Vinyl	TR-030420	£62.65	£68.28
			Leather	TR-030422-G	£151.80	£164.70
03	Rear Bulkhead Panel	Car Set	Vinyl	TR-030480	£79.87	£87.06
			Leather	TR-030482-G	£165.99	£176.11
Re-Trim Kits						
04	Dash & Capping Rail Re-Trim Kit <i>(Dash Facia also available to purchase separately as a Re-Trim Kit, see Item 09)</i>	Car Set	Vinyl	TR-030450	£116.43	£126.08
			7-pc Leather	TR-030452-G	£159.63	£172.87
			Leather	TR-030456-G	£326.49	£354.24
05	Draught Excluder Kit	Car Set	Furflex	TR-030460	£38.53	£42.39
06	Wheel Arch Covers Re-Trim Kit	Car Set	Vinyl	TR-020440	£58.48	£63.08
			Leather	TR-020442-G	£96.13	£104.30

01-06	Trim Panel Kit (includes all the above items)*	Car Set	Vinyl	TR-030100	£364.28	£384.10
			Vinyl + 7pc Leather	TR-030120-G	£411.16	£451.68
			Leather	TR-030200-G	£722.37	£783.77

*** Note: Purchasing a complete Trim Panel Kit is cheaper than buying the items individually.**

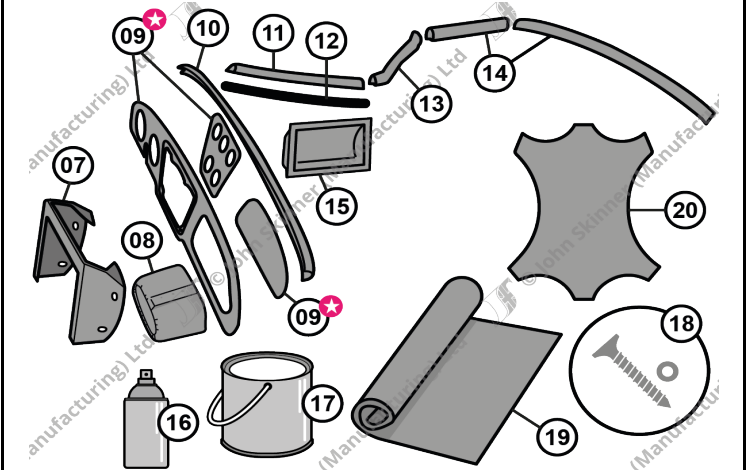
Extra Items (for Trimmed Panels & Re-Trim Kits)						
08	Radiator Cooling Duct	Car Set	Millboard	TR-011550	£26.74	
09	Glove Cubby Box	Car Set	Vinyl / Flocked	TR-011530	£31.18	£40.70
			Moquette	TR-011532	£49.10	£53.27
10	Dash Facia Re-Trim Kit	Car Set	Vinyl	TR-010450-DB	£81.45	£88.37
			Leather	TR-010452-DB-G	£112.61	£122.18
11	Dash Top Scuttle Capping: Metalwork - <i>contact to discuss availability</i>					
12	Upper Door Top Cappings: Metalwork	Single	LH	TR-031521	£63.70	
		Single	RH	TR-031522	£63.70	
13	Upper Door Top Capping Rubber Inners	Single	LH	TR-011557	£13.57	
14	Quarter "Elbow" Cappings: Fibreglass	Single	LH	TR-011567	£39.11	
		Single	RH	TR-011566	£39.11	
15	Rear Tonneau Cappings: Aluminium	Single	LH	TR-011562	£40.07	
		Single	RH	TR-011561	£40.07	
		Single	Centre	TR-011560	£50.91	
16	Door Panel Pockets	Car Set	Vinyl / Flocked	TR-031500	£20.89	£27.53
		Car Set	Moquette	TR-031502	£34.01	£36.90
17	Basic Upholstery Glue: Spray	500ml	Glue	162770	£13.48	
18	High Strength Contact Adhesive: Spreadable	1 ltr	Glue	162770-S	£29.40	
19	Trim Panel Fixing Kit	Car Set	Fixing Clips	TR-011413	£11.14	
20	Extra Material by the Metre	per Metre	Vinyl	99948001	£21.10	
			3mm Foam	13847006	£7.50	
21	Extra Leather	1/2 Hide	Contact for Price			

Prices correct at time of publication. John Skinner (Manufacturing) Ltd reserves the right to amend these prices at any time.



Denotes pieces supplied in Leather in a 7pc Leather Dash & Capping Re-Trim Kit

Extra Items



Denotes pieces that can be skived / thinned if ordered in Leather. Skiving is a process of thinning leather to make it more pliable without weakening it, making it easier for trimming round corners and curves.

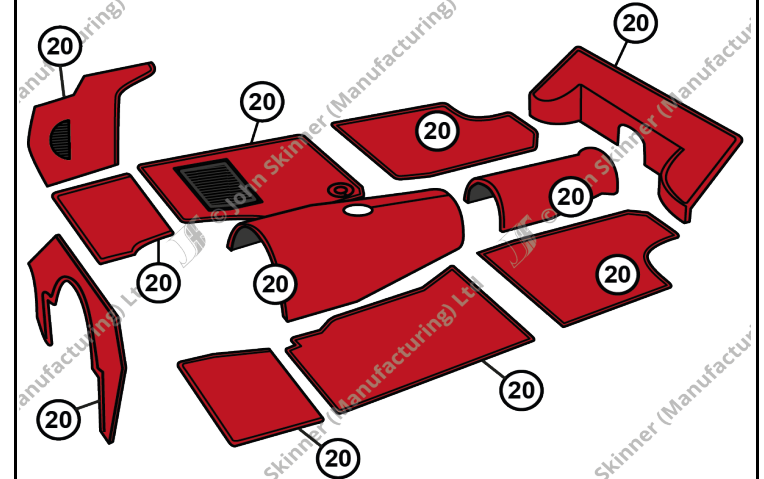
Carpets & Flooring

No.	Description	Units	Trim Material	Part No.	Price (£) (Orig Col)	Price (£) (Non Orig Col)
20	Carpet Set	Car Set	Nylon	TR-031110	£202.92	£222.76
			Wool	TR-031130	£287.03	£304.90
N/A	Underfelt Soundproofing Kit	Car Set	Felt	TR-011555	£50.03	

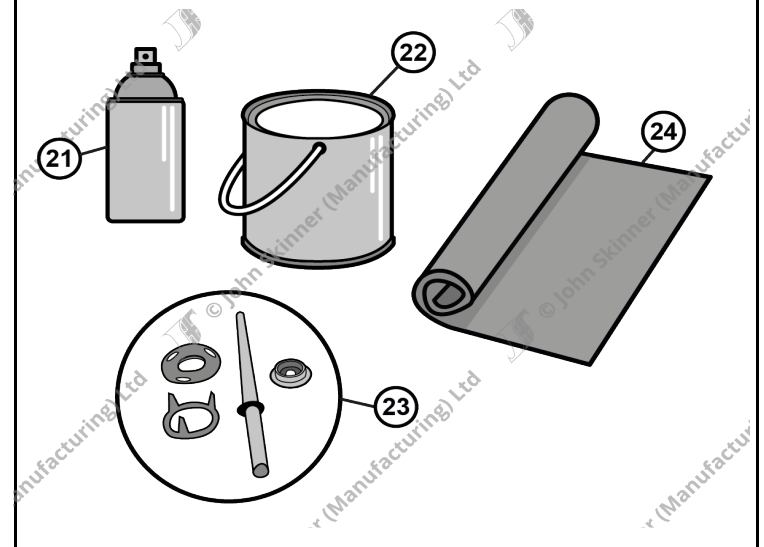
Extra Items (for Carpets & Flooring)

No.	Description	Units	Trim Material	Part No.	Price (£) (Orig Col)	Price (£) (Non Orig Col)
21	Basic Upholstery Glue: Spray	500ml	Glue	162770	£13.48	
22	High Strength Contact Adhesive: Spreadable	1 litre	Glue	162770-S	£29.40	
23	Carpet Fixing Kit	Car Set	Fixing Clips	TR-011401	£30.38	
24	Extra Material by the Metre	per Metre	Felt	13166005-6MM	£24.10	
			Nylon	9995013	£28.31	
			Wool	99950001	£39.91	

Carpets & Flooring



Extra Items



Prices correct at time of publication. John Skinner (Manufacturing) Ltd reserves the right to amend these prices at any time.

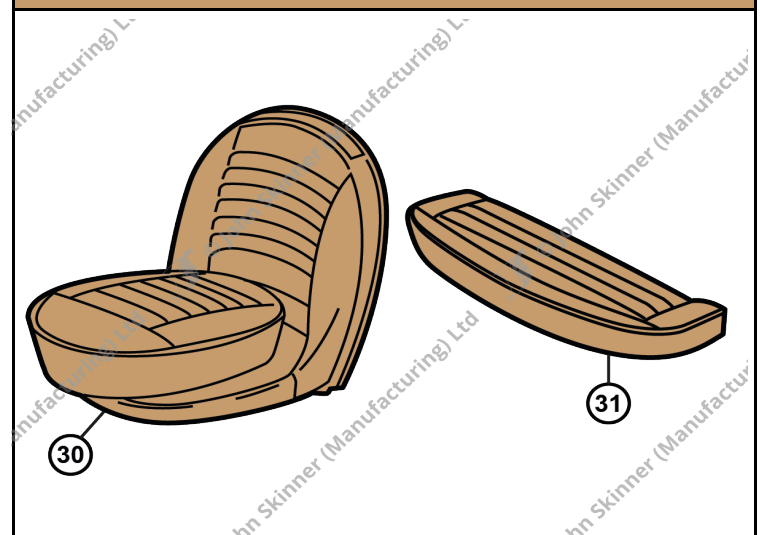
Seats & Hardware

No.	Description	Units	Trim Material	Part No.	Price (£) (Orig Col)	Price (£) (Non Orig Col)
30	Front Seat Cover Kit	Car Set	Vinyl	TR-030500	£306.14	£336.02
			Leather-Faced	TR-030600-G	£560.46	£573.48
			Leather	TR-030700-G	£703.96	£716.71
31	Rear Seat Cover Kit	Car Set	Vinyl	TR-030800	£107.54	£126.30
			Leather-Faced	TR-030900-G	£256.12	£274.93
			Leather	TR-031000-G	£299.34	£314.30

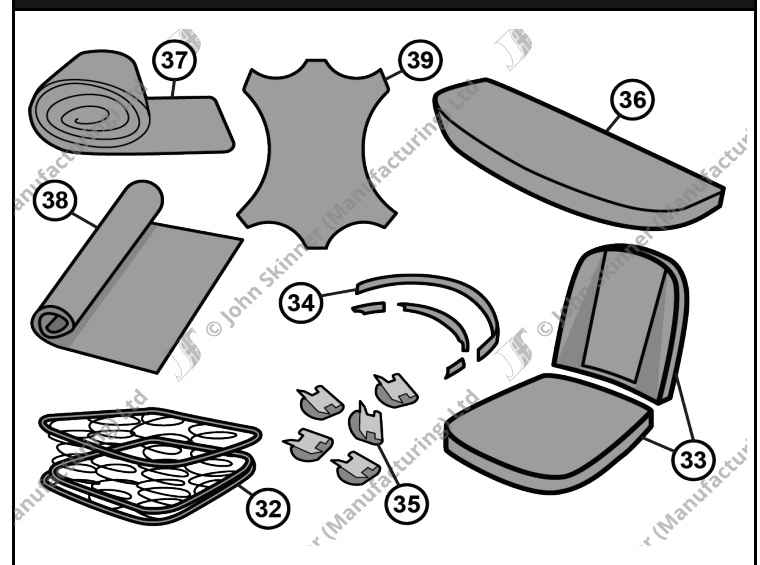
Extra Items (for Seats & Hardware)

No.	Description	Units	Trim Material	Part No.	Price (£) (Orig Col)	Price (£) (Non Orig Col)
32	Front Seat Cushion Spring Unit	Single	Metal	TR-031520	£85.38	
33	Front Seat Padding Kit	Car Set	Foam + Scrim	TR-031517	£96.35	
34	Front Seat Tacking Strip Kit	Car Set	Hardboard	TR-031516	£23.11	
35	Front Seat Clips (Small "U" Style)	Single	Fixing Clips	011412	£0.65	
36	Rear Seat Padding Kit	Car Set	Foam	TR-031560	£30.90	
37	Seat Wadding Upholstery Materials	10 mtrs	Wadding	99955053	£40.56	
38	Extra Material by the Metre	per Metre	Vinyl	99948001	£21.10	
39	Extra Leather	1/2 Hide		Contact for Price		

Seats & Hardware



Extra Items

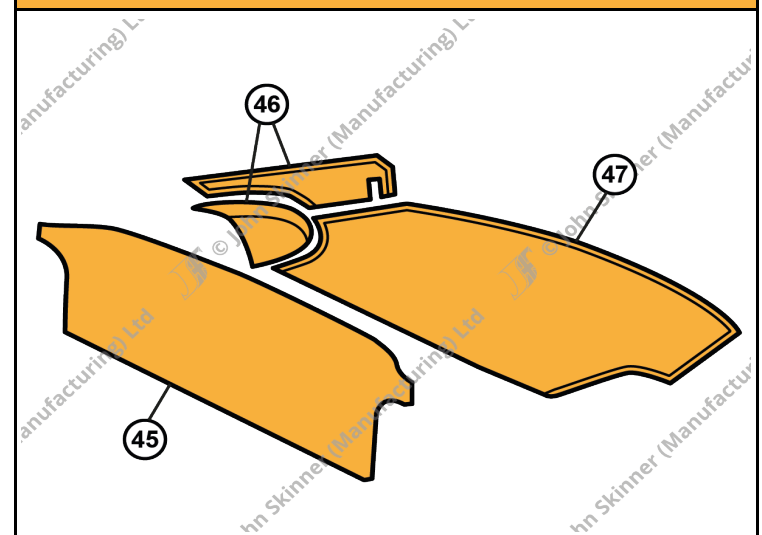


Prices correct at time of publication. John Skinner (Manufacturing) Ltd reserves the right to amend these prices at any time.

Boot / Trunk Area

No.	Description	Units	Trim Material	Part No.	Price (£) (Orig Col)	Price (£) (Non Orig Col)
45	Boot / Trunk Liner Board	Single	Black Grain Board	TR-011330	£28.23	
			Vinyl			£43.95
			Nylon	TR-011332	£54.59	£59.23
			Wool	TR-011334	£63.69	£69.10
46	Boot / Trunk Side Kit	Car Set	Nylon	TR-011320	£28.69	£33.58
			Hardura	TR-011322	£28.69	£33.58
			Wool	TR-011324	£52.27	£57.90
47	Boot / Trunk Mat	Single	Nylon	TR-011310	£30.88	£34.26
			Hardura	TR-011312	£30.88	£34.26
			Wool	TR-011314	£56.92	£61.10

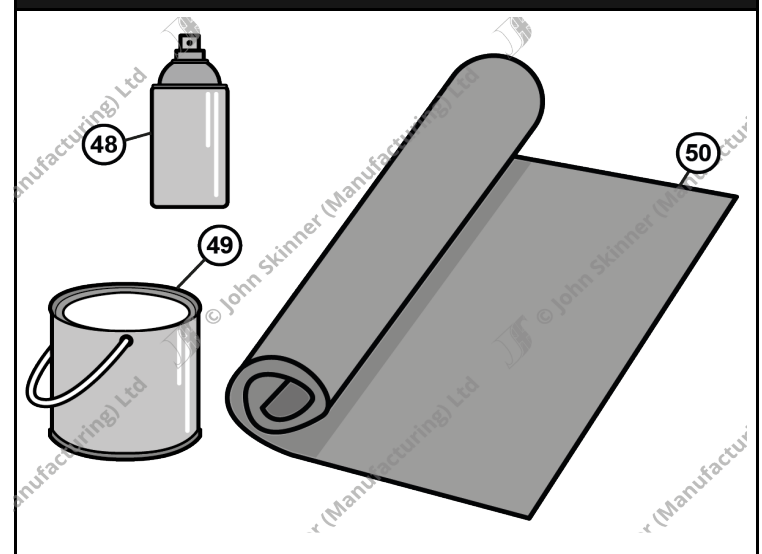
Boot / Trunk Area



Extra Items (for Boot / Trunk Area)

No.	Description	Units	Trim Material	Part No.	Price (£) (Orig Col)	Price (£) (Non Orig Col)
48	Basic Upholstery Glue: Spray	500ml	Glue	162770	£13.48	
49	High Strength Contact Adhesive: Spreadable	1 ltr	Glue	162770-S	£29.40	
50	Extra Material by the Metre	per Metre	Vinyl	99948001	£21.10	
			Nylon	9995013	£28.31	
			Hardura	99952001	£29.78	
			Wool	99950001	£39.91	

Extra Items



Prices correct at time of publication. John Skinner (Manufacturing) Ltd reserves the right to amend these prices at any time.

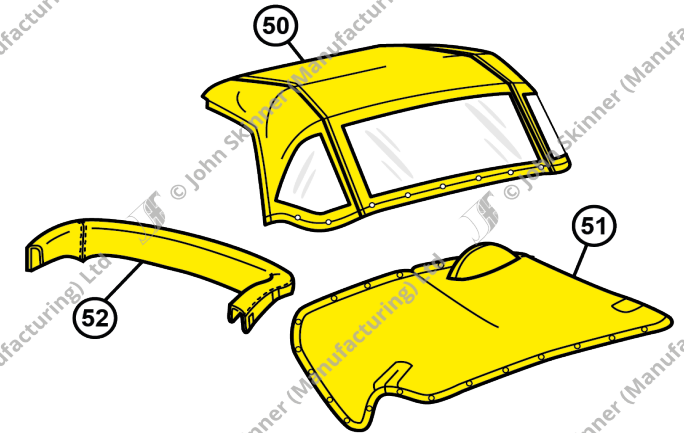
Weather Equipment / Hardtop Area

No.	Description	Units	Trim Material	Part No.	Price (£) (Black)	Price (£) (Non Black)
50a	Convertible Soft Top Hood (3 Window Version) (to Chassis No. TS 28,825)	Car Set	PVC Hooding	TR-021250	£353.56	£388.92
			Mohair Hooding	TR-021260	£450.97	£496.07
50a	Convertible Soft Top Hood (3 Window Version) (from Chassis No. TS 28,826+)	Car Set	PVC Hooding	TR-031250	£353.56	£388.92
			Mohair Hooding	TR-031260	£450.97	£496.07
51	Tonneau Cover	Car Set	PVC Hooding	TR-021220	£189.64	£208.60
			Mohair Hooding	TR-021230	£305.22	£335.74
52a	Soft Top Hood Frame (Envelope) Cover (to Chassis No. TS 41,743)	Car Set	Vinyl	TR-011270	£112.76	£122.34
			PVC Hooding	TR-011280	£125.69	£136.37
			Mohair Hooding	TR-011290	£184.98	£200.70
			Leather	TR-011292-G	£321.50	£348.83
52b	Soft Top Hood Frame (Envelope) Cover (from Chassis No. TS 41,744+)	Car Set	Vinyl	TR-031270	£112.76	£122.34
			PVC Hooding	TR-031280	£125.69	£136.37
			Mohair Hooding	TR-031290	£184.98	£200.70
			Leather	TR-031292-G	£321.50	£348.83

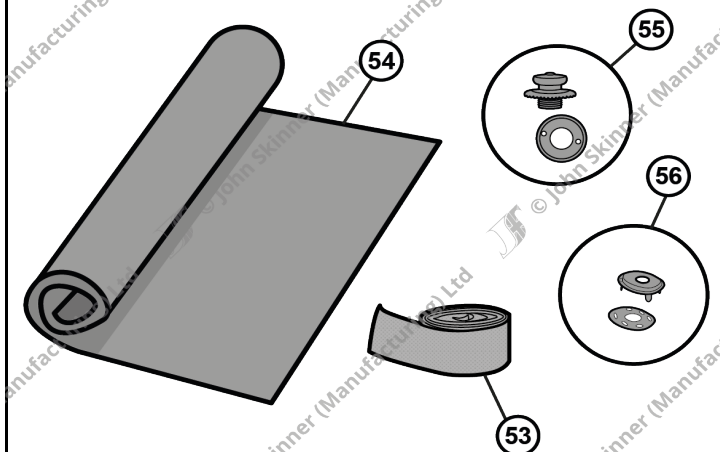
Extra Items (for Weather Equipment / Hardtop Area)

No.	Description	Units	Trim Material	Part No.	Price (£) (Black)	Price (£) (Non Black)
53	Soft Top Hood Webbing (available in Black, Grey or Beige. Price listed is for all colours)	3 mtrs	Webbing	TR-011201	£24.64	
54	Extra Material by the Metre	per Metre	PVC Hooding	99954001	£22.75	£25.03
			Mohair Hooding	99954030	£50.91	£56.01
55	Tenax Fasteners - Female, 2 piece (includes Locking Washer)	Single (2pc)	Fixing Clips	011405	£2.70	
56	Lift-The-Dot Fasteners - Female, 2 piece	Single (2pc)	Fixing Clips	011414-15	£2.31	

Weather Equipment / Hardtop Area



Extra Items



Prices correct at time of publication. John Skinner (Manufacturing) Ltd reserves the right to amend these prices at any time.