

Trim Manufacturers for
1949-1989 Classic Cars



Tel: +44 (0)1242 230995
Email: sales@john-skinner.co.uk

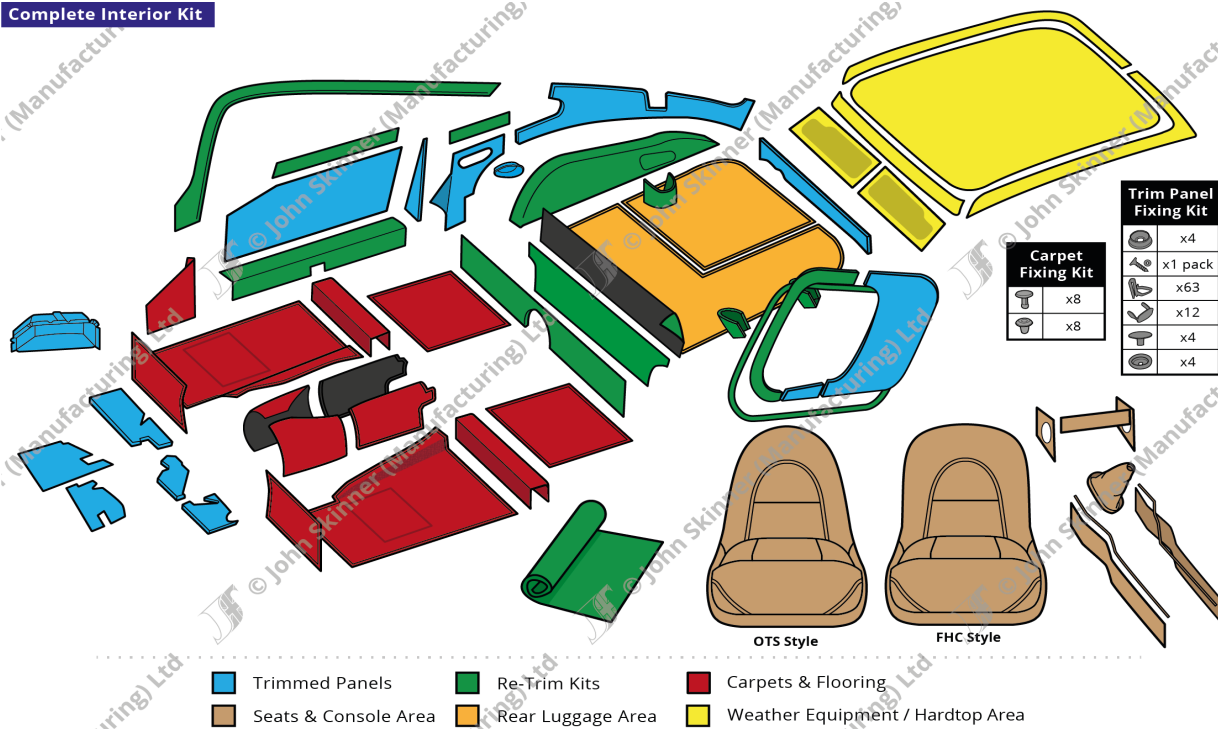
E-Type FHC S1 (3.8ltr) Flat Floor

Parts & Prices Catalogue

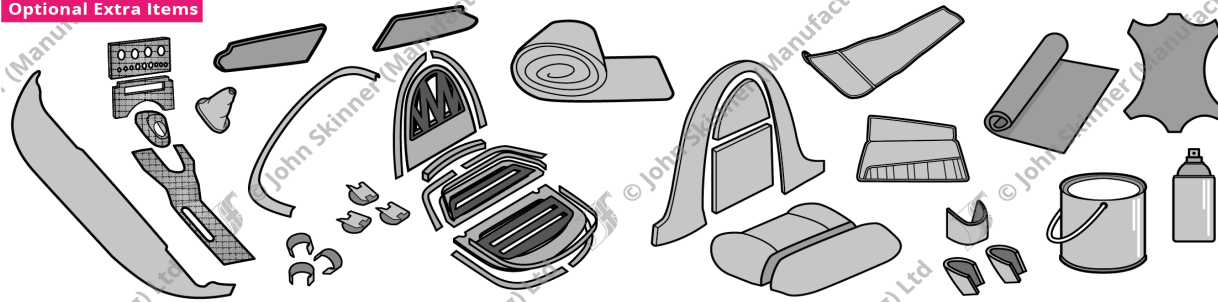
2019 Prices

E-Type Catalogue - Parts & Prices

Complete Interior Kit



Optional Extra Items



E-Type FHC Series 1 (3.8ltr) Flat Floor

All items illustrated (left) are available for purchase as below:

- for Complete Interior Kit pricing, see Page 3
- for Optional Extra Items pricing, see Page 4
- for Individual Parts pricing, see Page 5 - Page 9

Please note, it is cheaper to buy a Complete Interior Kit than purchase all the items individually.

Years of Manufacture: 1961 - 1964
 Chassis Number Range:
 RHD: 860,001 - 861,799 / LHD: 885,001 - 890,873

Original Trim Colours



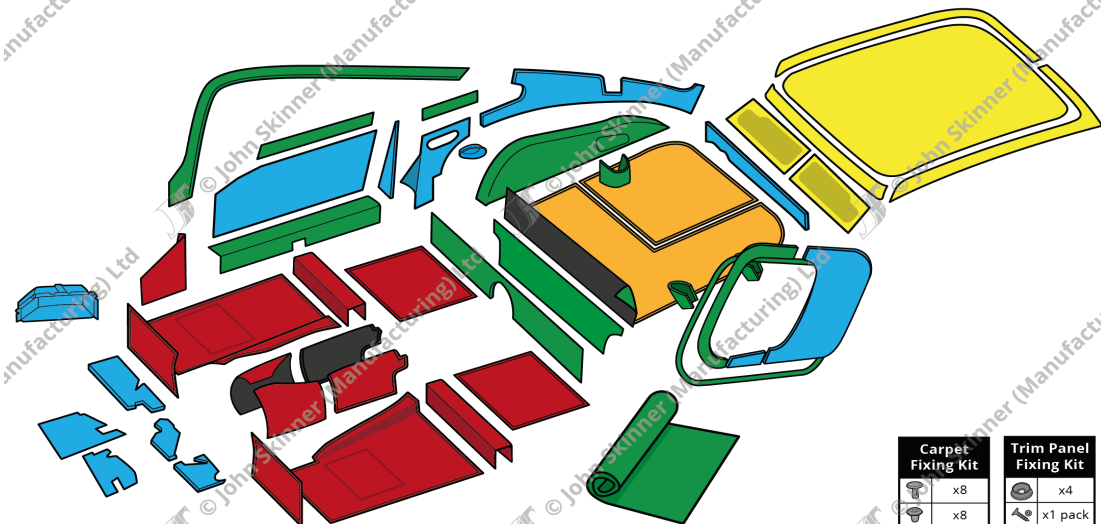
Piping - Jaguar E-Type (XK-E) models featured Piping made in the same colour as the main trim colour.

Samples are available on request. We recommend that you contact us for samples, as colours can be mis-represented on screen and in print.

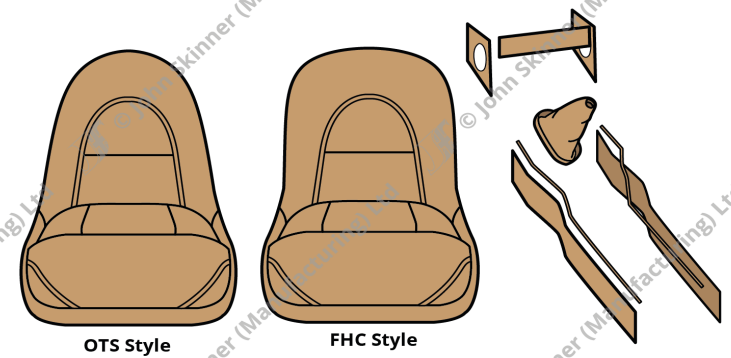
The original trim colours as detailed here are correct to the best of our knowledge. Please contact us to discuss if you have additional information outside of this colour range.

Complete Interior Trim Kit

Complete Interior Kit - Main Cockpit & Rear Luggage Area Items



Complete Interior Kit - Seat & Console Items



KEY

- Trimmed Panels
- Re-Trim Kits
- Carpets & Flooring
- Seats & Console Area
- Rear Luggage Area
- Weather Equipment / Hardtop Area

Price List for Complete Interior Kit					
Description	Trim Material	Part No. (Orig. Col)	Price (£) (Orig Col)	Part No. (Non. Orig. Col)	Price (£) (Non Orig Col)
Complete Interior Kit (includes all items as illustrated above)	As Original	ET-310100	£2,359.09	ET-310101	£2,557.25
Additional Surcharge for Leather Parts (Non-Original) *	Leather	ET-310200		£1,331.41	
<p>* "Additional Surcharge for Leather" is based on any parts originally made in Vinyl or Leathercloth being replaced with Leather. All other materials (Wool, Moquette, Hardura etc) remain the same. Contact us to discuss prices for a more custom specification & bespoke package if required.</p>					

Optional Extra Items are available to purchase separately, see next page for more details & prices.

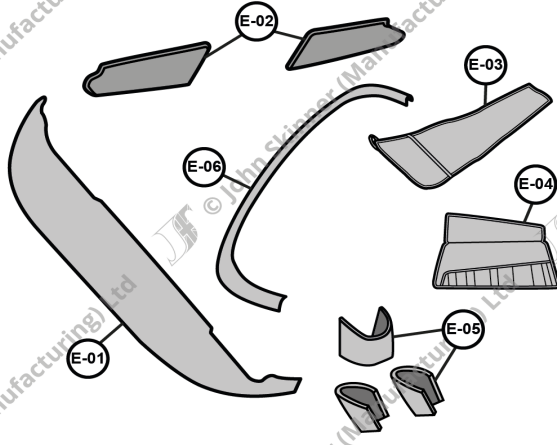
All items included in the Complete Trim Kit are also available to purchase individually. See Page 4 - Page 8 for prices.

All of the pricing options for "Leather" parts are for "Grained" Leather. For the "Smooth" Leather finish - please contact for accurate pricing, or use approximate 11% surcharge from the Grained Leather price for basic guide.

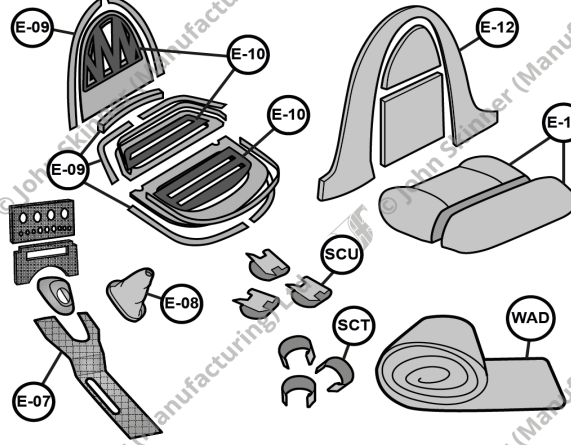
Prices correct at time of publication. John Skinner (Manufacturing) Ltd reserves the right to amend these prices at any time.

Optional Extra Items

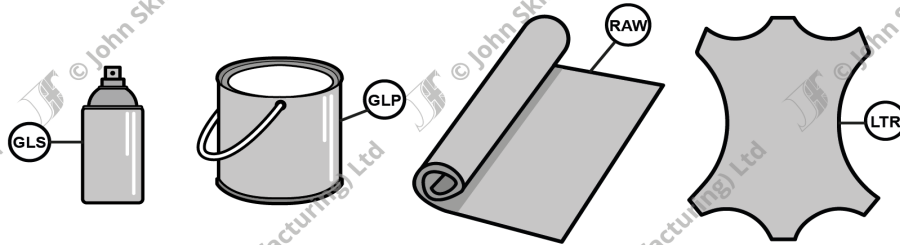
Optional Extras: Main Cockpit & Rear Luggage Area



Optional Extras: Seats & Console Area



Optional Extras: Miscellaneous



Price List for Optional Extra Items*

No.	Description	Units	Part No.	Price (£)
E-01	Main Dash Top Panel: Moulded	Kit (1)	ET-251090	£134.93
E-02	Sunvisors: Moulded & UnTrimmed	Kit (2)	ET-310260	£117.03
E-02	Sunvisors: Moulded & Trimmed	Kit (2)	ET-310270	£202.18
E-03	Jack Bag	Kit (1)	ET-251350	£23.14
E-04	Tool Storage Roll	Kit (1)	ET-251340	£44.41
E-05	Rear Hinge & Lock Panels: Moulded	Kit (3)	ET-310476	£103.29
E-06	Rear Door Hatch Top Panel: Moulded	Kit (1)	ET-310497	£71.49
E-07	Dash Facia & Console Kit: Aluminium	Kit (4)	ET-251050	£310.55
E-08	Gear Lever Gaitor	Kit (1)	ET-251040-G	£27.68
E-09	Front Seat Tacking Strip Kit	Kit (18)	ET-251515	£152.82
E-10	Cushion & Backrest Diaphragms	Kit (6)	ET-251511	£43.47
E-11	Front Seat Cushion Padding Kit	Kit (4)	ET-251510	£154.28
E-11	Front Seat Backrest Padding Kit (FHC Seat Style)	Kit (18)	ET-311520	£61.50
E-12	Front Seat Backrest Padding Kit (OTS Seat Style)	Kit (18)	ET-251520	£61.50
SCU	Front Seat Clips (Small "U" Style)	Single	011412	£0.65
SCT	Front Seat Clips ("Tubular" Style)	Single	011418	£1.51
WAD	Seat Wadding Upholstery Materials	Kit (10m)	9995053	£40.56
GLS	Basic Upholstery Glue: Spray	500ml	162770	£13.48
GLP	High Strength Contact Adhesive: Spreadable	1 ltr	162770-S	£29.40
RAW	Extra Material: Vinyl	per Metre	99948001	£21.10
RAW	Extra Material: Moquette	per Metre	99953001	£53.70
LTR	Extra Leather	1/2 Hide		Contact for Price

* Prices for items listed here apply to Original Colours only. For a more detailed breakdown of pricing, including prices for Non-Original colours and alternative trim material options, please see Page 4 - Page 8.

Prices correct at time of publication. John Skinner (Manufacturing) Ltd reserves the right to amend these prices at any time.

E-Type Catalogue

FHC S1 (3.8ltr) Flat Floor

Trimmed Panels						
Ref.	Description	Units	Trim Material	Part No.	Price (£) (Orig Col)	Price (£) (Non Orig Col)
01	UnderDash Panels: Hardura <i>(RHD & LHD - only LHD version pictured)</i>	Kit (2)	Hardura	ET-251410	£56.87	
02	UnderDash Panels: Millboard <i>(RHD & LHD options - only LHD option pictured)</i>	Kit (3)	Millboard	ET-251430	£53.70	
03	Glove Cubby Box	Kit (1)	Flocked Millboard	ET-251460	£61.57	
04	Door Panels: Main	Kit (2)	Vinyl	ET-310300	£149.30	£161.99
			Leather	ET-310302-G	£320.55	£347.79
05	Closing Rebate Panels	Kit (2)	Vinyl	ET-310430	£179.17	£194.40
			Leather	ET-310432-G	£290.97	£315.70
06	Quarter B Post Panels - "Type 1"	Kit (2)	Vinyl	ET-310420	£198.56	£215.44
	Quarter B Post Panels - "Type 2"		Leather	ET-310422-G	£426.31	£462.54
			Vinyl	ET-320420	£198.56	£215.44
			Leather	ET-320422-G	£426.31	£462.54
07	Quarter B Post Panel Pocket (always Beige)	Kit (2)	Woolcloth /	ET-310426	£77.09	
08	Rear Side Casing Panels - "Type 1"	Kit (2)	Vinyl	ET-310450	£198.56	£215.44
			Leather	ET-310452-G	£426.31	£462.54
	Rear Side Casing Panels - "Type 2"		Vinyl	ET-320450	£198.56	£215.44
			Leather	ET-320452-G	£426.31	£462.54
09	Rear Lower Cover Panel	Kit (1)	Vinyl	ET-310460	£65.82	£71.41
10	Rear Door Hatch Panel <i>(includes loose material for re-trimming the top panel)</i>	Kit (3)	Leather	ET-310462-G	£106.89	£182.14
			Vinyl	ET-310490	£116.71	£126.63
			Leather	ET-310492-G	£250.58	£271.88
Re-Trim Kits						
11	Inner Sills Re-Trim Kit	Kit (4)	Vinyl	ET-310320	£39.36	£42.71
12	Upper Door Top Re-Trim Kit	Kit (4)	Leather	ET-310322-G	£84.51	£91.69
			Vinyl	ET-250310	£18.01	£19.54
13	Cant Rail Re-Trim Kit	Kit (4)	Leather	ET-250312-G	£38.67	£41.95
			Vinyl	ET-310410	£77.09	£83.64
14	Lower Rear Bulkhead Re-Trim Kit	Kit (2)	Leather	ET-310412-G	£165.51	£179.58
			Moquette	ET-250470	£38.91	£42.22
15	Rear Cubby Box Re-Trim Kit	Kit (5)	Leather	ET-250472-G	£77.42	£84.00
			Hardura & Vinyl	ET-311220	£53.70	£58.26
16	Wheel Arch Covers Re-Trim Kit	Kit (8)	Hardura & Leather	ET-311222-G	£156.41	£170.41
			Moquette	ET-310440	£77.09	£83.64
17	Rear Hinge & Lock Re-Trim Kit	Kit (8)	Leather	ET-310442-G	£165.51	£179.58
			Moquette	ET-310470	£76.79	£83.32
			Vinyl	ET-320470	£71.15	£77.20
			Leather	ET-320472-G	£152.76	£165.74
18	Rear Door Hatch Aperture Surround Re-Trim Kit	Kit (1)	Vinyl	ET-310496	£44.63	
19	Spare Material	1/2m	Vinyl	99948001	£10.55	
20	Trim Panel Fixing Kit	Car Set	Moquette	99953001	£26.85	
			Fixing Clips	ET-251480	£28.58	
Optional Extra Items						
E-01	Main Dash Top Panel: Moulded	Kit (1)	Plastic	ET-251090	£134.93	
E-02	Sunvisors: Moulded & UnTrimmed	Kit (2)	Plastic	ET-310260	£117.03	
	Sunvisors: Moulded & Trimmed	Kit (2)	Woolcloth / Plastic	ET-310270	£202.18	
E-05	Rear Hinge & Lock Panels: Moulded	Kit (3)	Plastic	ET-310476	£103.29	
E-06	Rear Door Hatch Top Panel: Moulded	Kit (1)	Plastic	ET-310497	£71.49	
GLS	Basic Upholstery Glue: Spray	500ml	Glue	162770	£13.48	
GLP	High Strength Contact Adhesive: Spreadable	1 ltr	Glue	162770-S	£29.40	
RAW	Extra Material	per	Vinyl	99948001	£21.10	
		Metre	Moquette	99953001	£53.70	
LTR	Extra Leather	1/2 Hide	Leather		Contact for Price	

Please refer to Page 3 for illustrations of all Optional Extra Items

Prices correct at time of publication. John Skinner (Manufacturing) Ltd reserves the right to amend these prices at any time.

Trimmed Panels & Re-Trim Kits

Trim Panel Fixing Kit

	x4		x12
	x1pk		x4
	x63		x4

Denotes pieces that can be skived / thinned if ordered in Leather. Skiving is a process of thinning leather to make it more pliable without weakening it, making it easier for trimming round corners and curves. This gives a neat & high quality finish.

Production Line Variations

Quarter B Post Panels

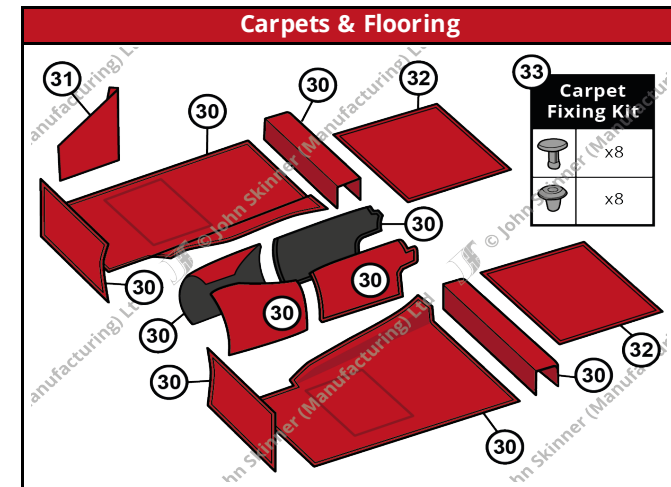
Rear Side Casing Panels

E-Type Catalogue

FHC S1 (3.8ltr) Flat Floor

Carpets & Flooring						
Ref.	Description	Units	Trim Material	Part No.	Price (£) (Orig Col)	Price (£) (Non Orig Col)
30	Carpet Set	Kit (11)	Wool	ET-251110	£235.52	£255.54
			Wilton *	ET-251130	Contact for Price	
			Felt-Backed	Contact for Price		
N/A	Underfelt Soundproofing Kit	Kit (8)	Felt	ET-251170	£58.57	
			Dyno-Mat	ET-251171	Contact for Price	
31	A Post Footwell Panels	Kit (2)	Hardura	ET-251200	£51.76	£56.16
			Wool	ET-251202	£119.15	£129.28
32	Underseat Panels	Kit (2)	Hardura	ET-251210	£51.76	£56.16
			Wool	ET-251212	£119.15	£129.28
33	Carpet Fixing Kit	Car Set	Fixing Clips	ET-251490	£13.92	

*Note this is the official Wilton dense-pile carpet material as used in Rolls Royce and Bentley models. This should not be confused with our Wool (Woven Wool) which is often incorrectly referred to "Wilton" by other suppliers on the market. Please request samples for ultimate validation of these materials.



Optional Extra Items (for Carpets & Flooring)						
Ref.	Description	Units	Trim Material	Part No.	Price (£) (Orig Col)	Price (£) (Non Orig Col)
GLS	Basic Upholstery Glue: Spray	500ml	Glue	162770	£13.48	
GLP	High Strength Contact Adhesive: Spreadable	1 ltr	Glue	162770-S	£29.40	
RAW	Extra Material by the Metre	per Metre	Hardura	99952001	£29.78	
			Wool	99950001	£39.91	
			Wilton	Contact for Price		
			Felt-Backed	Contact for Price		

Please refer to Page 3 for illustrations of all Optional Extra Items

Prices correct at time of publication. John Skinner (Manufacturing) Ltd reserves the right to amend these prices at any time.

E-Type Catalogue

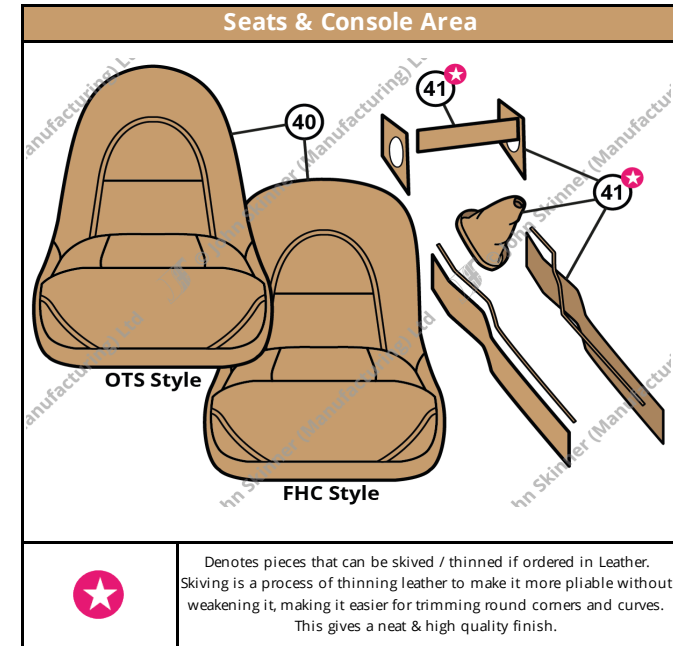
FHC S1 (3.8ltr) Flat Floor

Seats & Console Area						
Ref.	Description	Units	Trim Material	Part No.	Price (£) (Orig Col)	Price (£) (Non Orig Col)
40	Front Seat Cover Kit ("Bucket" Seat - FHC Style)	Kit (8)	Leather-Faced *	ET-310600-G	£706.57	£766.63
			Leather	ET-310700-G	£812.56	£881.62
	Front Seat Cover Kit ("Bucket" Seat - OTS Style) <small>(Note that some FHC models left the factory with OTS Seats fitted)</small>	Kit (8)	Leather-Faced *	ET-250600-G	£706.57	£766.63
			Leather	ET-250700-G	£812.56	£881.62
41	Centre Console Re-Trim Kit ("Early" Style - as per the 3.8ltr models)	Kit (12)	Leather-Faced *	ET-251020-G	£125.24	£135.89
			Leather	ET-251030-G	£156.55	£169.86

* Note that Seats & Centre Console were originally supplied in Leather with elements of Vinyl and Moquette, which we refer to as Leather-Faced. We can also offer full Leather options. Be aware that other suppliers often do not distinguish between Leather-Faced and Full Leather.

Optional Extra Items (for Seats & Console Area)						
Ref.	Description	Units	Trim Material	Part No.	Price (£) (Orig Col)	Price (£) (Non Orig Col)
E-07	Dash Facia & Console Kit: Aluminium	Kit (4)	Aluminium	ET-251050	£310.55	
E-08	Gear Lever Gaitor	Kit (1)	Leather	ET-251040-G	£27.68	£30.03
E-09	Front Seat Tacking Strip Kit	Kit (18)	Plywood	ET-251515	£152.82	
E-10	Cushion & Backrest Diaphragms	Kit (6)	Rubber	ET-251511	£43.47	
E-11	Front Seat Cushion Padding Kit	Kit (4)	Cut Foam	ET-251510	£154.28	
E-12	Front Seat Backrest Padding Kit - FHC Style	Kit (16)	Foam	ET-311520	£61.50	
	Front Seat Backrest Padding Kit - OTS Style	Kit (16)	Cut Foam	ET-251520	£61.50	
SCU	Front Seat Clips (Small "U" Style)	Single	Fixing Clip	011412	£0.65	
SCT	Front Seat Clips ("Tubular" Style)	Single	Fixing Clip	011418	£1.51	
WAD	Seat Wadding Upholstery Materials	Kit (10m)	Wadding	99955053	£40.56	
RAW	Extra Material by the Metre	per Metre	Vinyl	99948001	£21.10	
			Moquette	99953001	£53.70	
LTR	Extra Leather	1/2 Hide	Leather	Contact for Price		

Please refer to Page 3 for illustrations of all Optional Extra Items

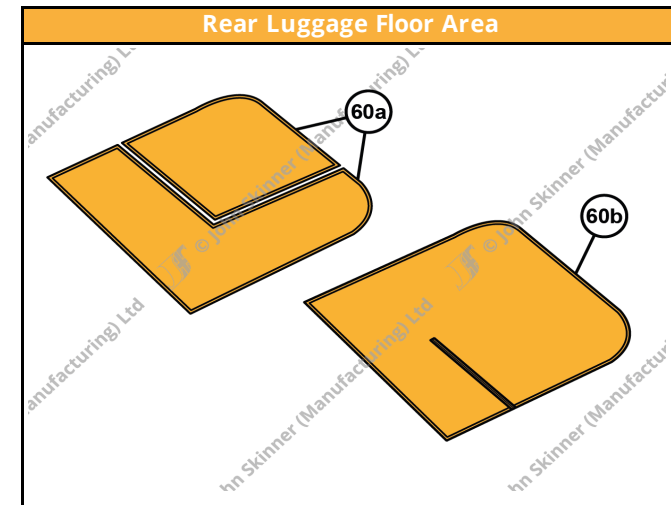


Prices correct at time of publication. John Skinner (Manufacturing) Ltd reserves the right to amend these prices at any time.

Rear Luggage Floor Area						
Ref.	Description	Units	Trim Material	Part No.	Price (£) (Orig Col)	Price (£) (Non Orig Col)
60a	Rear Luggage Floor Kit - 2 Piece For Chassis Numbers: RHD: 860,001 - 861,092 LHD: 885,001 - 888,256	Kit (2)	Hardura	ET-311310	£75.99	£82.45
			Wool	ET-311312	£174.93	£189.80
60b	Rear Luggage Floor Kit - 1 Piece For Chassis Numbers: RHD: 861,093 - end LHD: 888,257 - end	Kit (1)	Hardura	ET-311314	£75.99	£82.45
			Wool	ET-311316	£174.93	£189.80

Optional Extra Items (for Rear Luggage Area)						
Ref.	Description	Units	Trim Material	Part No.	Price (£) (Orig Col)	Price (£) (Non Orig Col)
E-03	Jack Bag	Kit (1)	Hardura	ET-251350	£23.14	
E-04	Tool Storage Roll	Kit (1)	Hardura	ET-251340	£44.41	
GLS	Basic Upholstery Glue: Spray	500ml	Glue	162770	£13.48	
GLP	High Strength Contact Adhesive: Spreadable	1 ltr	Glue	162770-S	£29.40	
RAW	Extra Material by the Metre	per Metre	Vinyl	99948001	£21.10	
			Hardura	99952001	£29.78	
			Wool	99950001	£39.91	
LTR	Extra Leather	1/2 Hide	Leather	Contact for Price		

Please refer to Page 3 for illustrations of all Optional Extra Items



Prices correct at time of publication. John Skinner (Manufacturing) Ltd reserves the right to amend these prices at any time.

Weather Equipment / Hardtop Area

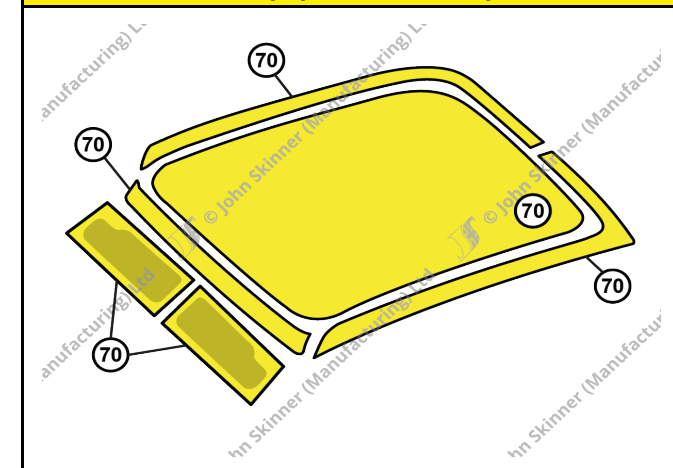
Ref.	Description	Units	Trim Material	Part No.	Price (£) (Orig Col)	Price (£) (Non Orig Col)
70	Headliner Roof Lining Kit (Includes loose material to Re-Trim Sunvisors)	Kit (6)	Wool Cloth *	ET-310250	£203.21	
	Headliner Roof Lining Kit - with Webasto Sunroof (Includes loose material to Re-Trim Sunvisors)	Kit (7)	Wool Cloth *	ET-310251	£237.41	

* Note that the main section of the Wool Cloth roof lining is supplied on Pre-Bonded foam. This makes the process of fitting to the car much easier. All other sections of the kit are supplied on un-foamed Wool Cloth material as original.

Optional Extra Items (for Weather Equipment / Hardtop Area)

Ref.	Description	Units	Trim Material	Part No.	Price (£) (Orig Col)	Price (£) (Non Orig Col)
E-02	Sunvisors: Moulded & UnTrimmed	Kit (2)	Plastic	ET-310260	£117.03	
	Sunvisors: Moulded & Trimmed	Kit (2)	Wooldoth / Plastic	ET-310270	£202.18	
GLS	Basic Upholstery Glue: Spray	500ml	Glue	162770	£13.48	
GLP	High Strength Contact Adhesive: Spreadable	1 ltr	Glue	162770-S	£29.40	
RAW	Extra Material by the Metre	per Metre	Wool Cloth (No Foam)	99955001	£29.47	
			Wool Cloth (Pre-Bonded Foam)	99955020	£36.59	

Please refer to Page 3 for illustrations of all Optional Extra Items

Weather Equipment / Hardtop Area


Prices correct at time of publication. John Skinner (Manufacturing) Ltd reserves the right to amend these prices at any time.