

Trim Manufacturers for
1949-1989 Classic Cars



Tel: +44 (0)1242 230995
Email: sales@john-skinner.co.uk

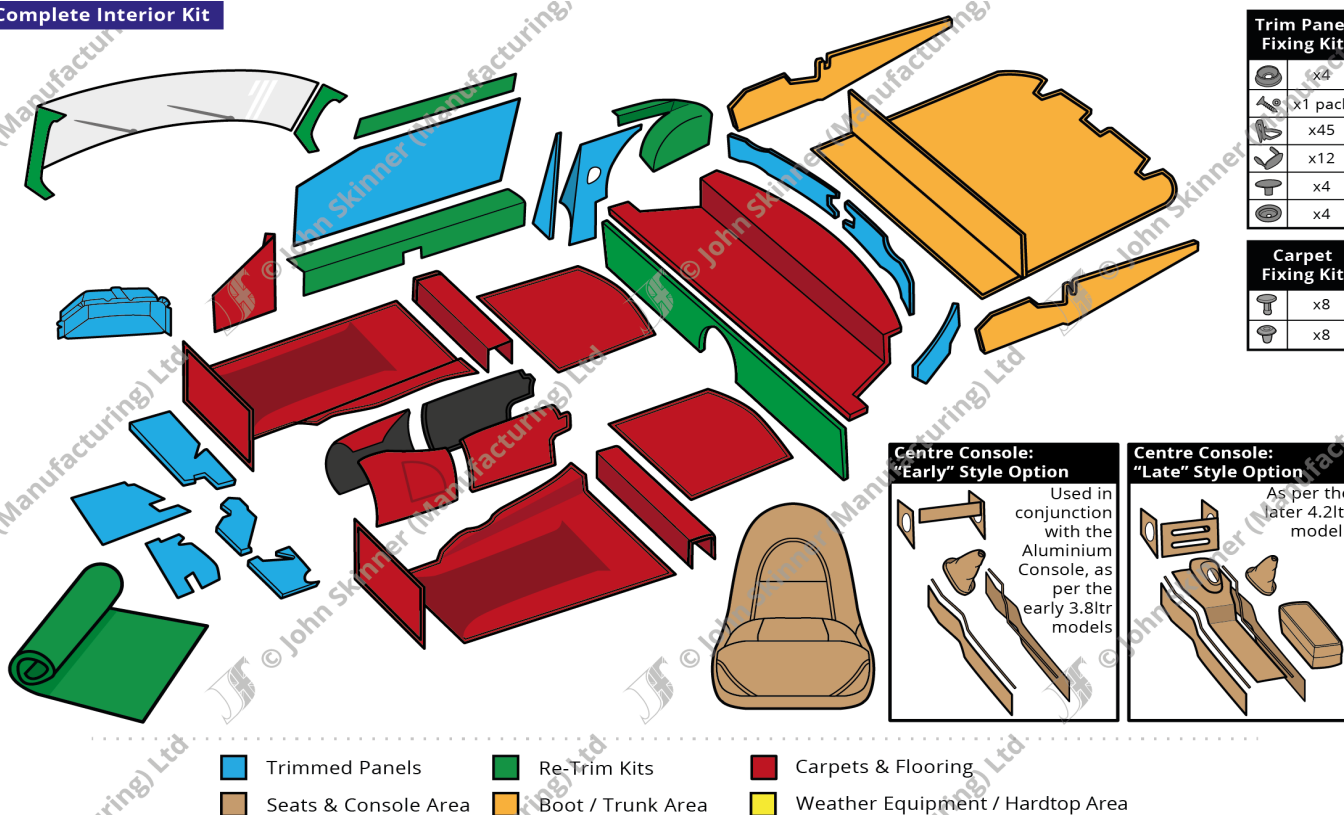
E-Type OTS S1 (3.8ltr) Non Flat Floor

Parts & Prices Catalogue

2019 Prices

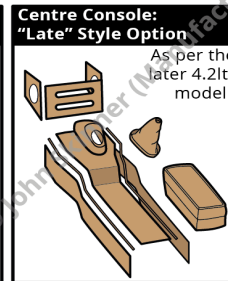
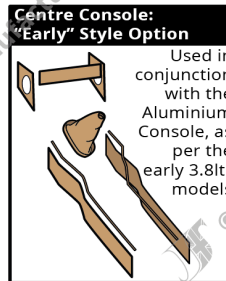
E-Type Catalogue - Parts & Prices

Complete Interior Kit



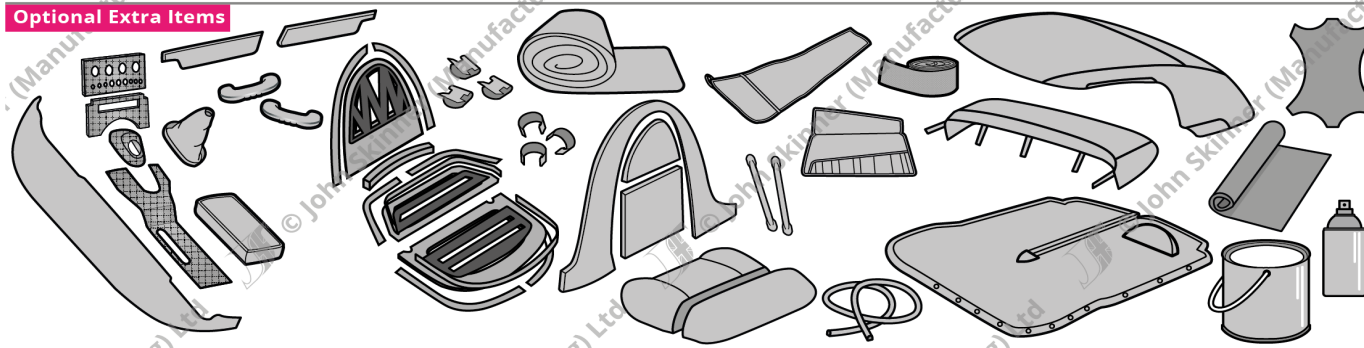
| Trim Panel Fixing Kit | |
|-----------------------|---------|
| | x4 |
| | x1 pack |
| | x45 |
| | x12 |
| | x4 |
| | x4 |

| Carpet Fixing Kit | |
|-------------------|----|
| | x8 |
| | x8 |



- Trimmed Panels
- Re-Trim Kits
- Carpets & Flooring
- Seats & Console Area
- Boot / Trunk Area
- Weather Equipment / Hardtop Area

Optional Extra Items



E-Type OTS

Series 1 (3.8ltr) Non Flat Floor

All items illustrated (left) are available for purchase as below:

- for Complete Interior Kit pricing, see Page 3
- for Optional Extra Items pricing, see Page 4
- for Individual Parts pricing, see Page 5 - Page 9

Please note, it is cheaper to buy a Complete Interior Kit than purchase all the items individually.

Years of Manufacture: 1961 - 1964

Chassis Number Range:

850,359 - 881,887

Original Trim Colours



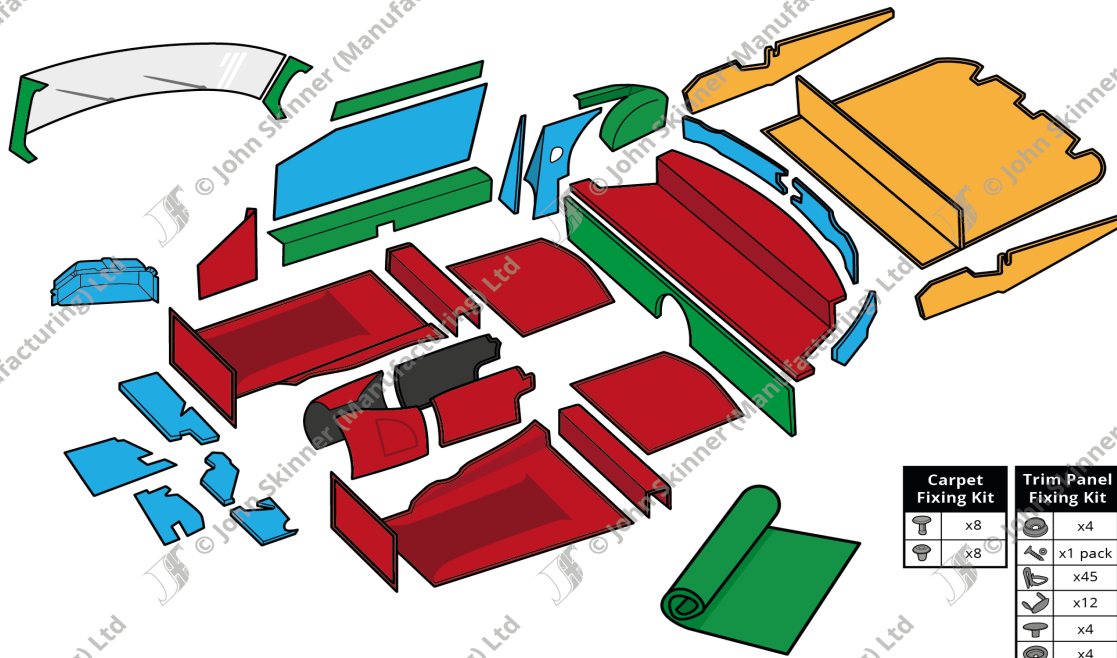
Piping - Jaguar E-Type (XK-E) models featured Piping made in the same colour as the main trim colour.

Samples are available on request. We recommend that you contact us for samples, as colours can be mis-represented on screen and in print.

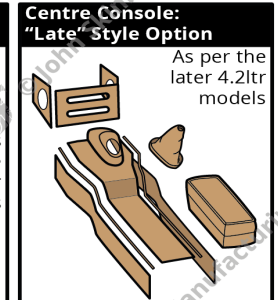
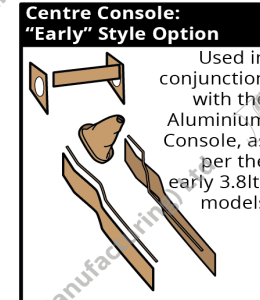
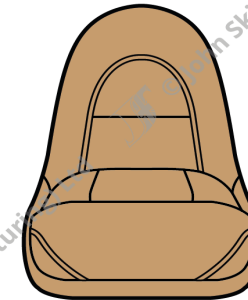
The original trim colours as detailed here are correct to the best of our knowledge. Please contact us to discuss if you have additional information outside of this colour range.

Complete Interior Trim Kit

Complete Interior Kit - Main Cockpit & Boot / Trunk Items



Complete Interior Kit - Seat & Console Items



KEY

- Trimmed Panels
- Re-Trim Kits
- Carpets & Flooring
- Seats & Console Area
- Boot / Trunk Area
- Weather Equipment / Hardtop Area

Price List for Complete Interior Kit

| Description | Trim Material | Part No. (Orig. Col) | Price (£) (Orig Col) | Part No. (Non. Orig. Col) | Price (£) (Non Orig Col) |
|---|---------------|----------------------|----------------------|---------------------------|--------------------------|
| Complete Interior Kit (includes all items as illustrated above) | As Original | ET-260100 | £1,965.92 | ET-260101 | £2,133.02 |
| Additional Surcharge for Leather Parts (Non-Original) * | Leather | ET-250200 | £1,106.74 | | |

* "Additional Surcharge for Leather" is based on any parts originally made in Vinyl or Leathercloth being replaced with Leather. All other materials (Wool, Moquette, Hardura etc) remain the same. Contact us to discuss prices for a more custom specification & bespoke package if required.

Prices correct at time of publication. John Skinner (Manufacturing) Ltd reserves the right to amend these prices at any time.

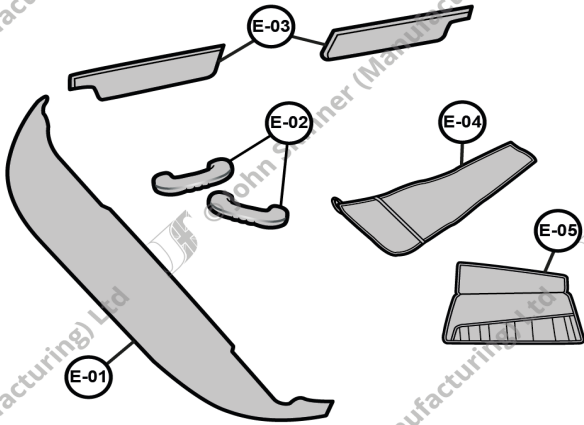
Optional Extra Items are available to purchase separately, see next page for more details & prices.

All items included in the Complete Trim Kit are also available to purchase individually. See Page 4 - Page 8 for prices.

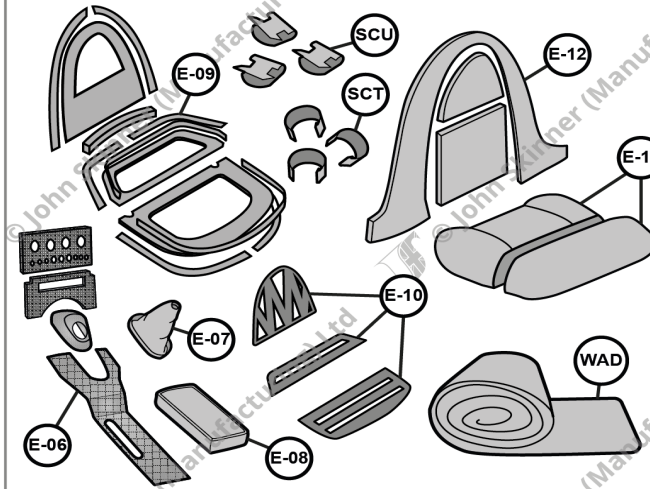
All of the pricing options for "Leather" parts are for "Grained" Leather. For the "Smooth" Leather finish - please contact for accurate pricing, or use approximate 11% surcharge from the Grained Leather price for basic guide.

Optional Extra Items

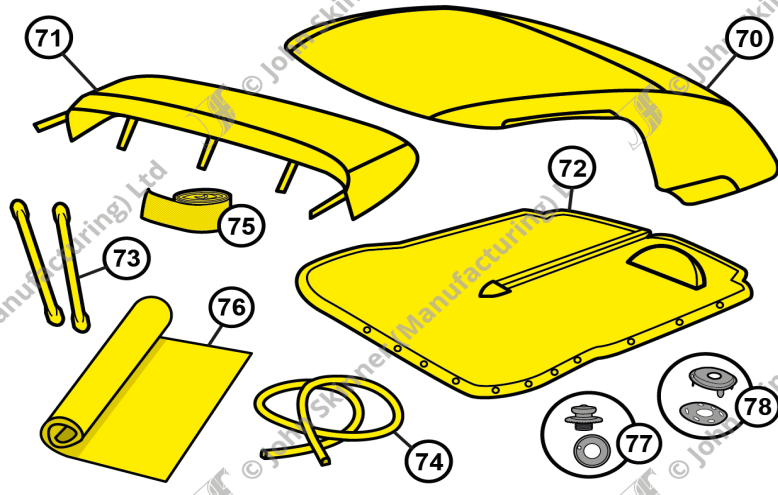
Optional Extras: Main Cockpit & Boot / Trunk Area



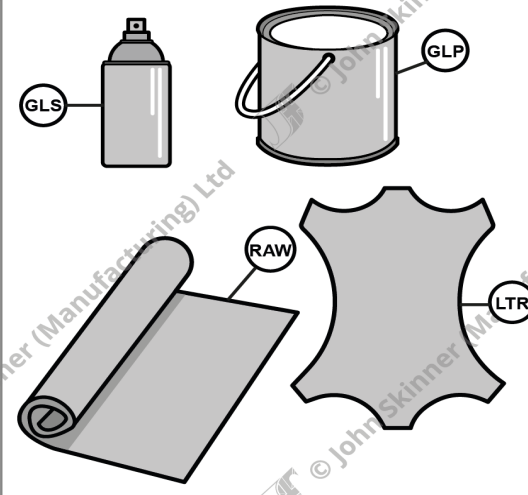
Optional Extras: Seats & Console Area



Optional Extras: Weather Equipment & Hardtop Area



Optional Extras: Miscellaneous



Price List for Optional Extra Items*

| No. | Description | Units | Part No. | Price (£) |
|------|---|-----------|-------------|-------------------|
| E-01 | Main Dash Top Panel: Moulded | Kit (1) | ET-251090 | £134.93 |
| E-02 | Door Pull Amrests: Plastic & Chrome: Untrimmed | Kit (8) | ET-250340 | £123.34 |
| | Door Pull Amrests: Plastic & Chrome: Fully Trimmed: Vinyl | Kit (2) | ET-250350 | £165.21 |
| | Door Pull Amrests: Plastic & Chrome: Fully Trimmed: Leather | Kit (2) | ET-250352-G | £193.67 |
| E-03 | Sunvisors | Kit (2) | ET-250270 | £98.48 |
| E-04 | Jack Bag | Kit (1) | ET-251350 | £23.14 |
| E-05 | Tool Storage Roll | Kit (1) | ET-251340 | £44.41 |
| E-06 | Dash Facia & Console Kit: Aluminium | Kit (1) | ET-251050 | £310.55 |
| E-07 | Gear Lever Gaitor | Kit (1) | ET-251040-G | £27.68 |
| E-08 | Centre Console Lid | Kit (1) | ET-271024-G | £63.05 |
| E-09 | Front Seat Tacking Strip Kit | Kit (18) | ET-251515 | £152.82 |
| E-10 | Cushion & Backrest Diaphragms | Kit (6) | ET-251511 | £43.47 |
| E-11 | Front Seat Cushion Padding Kit | Kit (4) | ET-251510 | £154.28 |
| E-12 | Front Seat Backrest Padding Kit | Kit (16) | ET-251520 | £61.50 |
| SCU | Front Seat Clips (Small "U" Style) | Single | 011412 | £0.65 |
| SCT | Front Seat Clips ("Tubular" Style) | Single | 011418 | £1.51 |
| WAD | Seat Wadding Upholstery Materials | Kit (10m) | 99955053 | £40.56 |
| 70 | Convertible Soft Top Hood: PVC | Kit (1) | ET-250250 | £271.96 |
| | Convertible Soft Top Hood: Mohair | Kit (1) | ET-250260 | £446.67 |
| | Soft Top Hood Frame Cover: PVC | Kit (1) | ET-250270 | £98.48 |
| 71 | Soft Top Hood Frame Cover: Mohair | Kit (1) | ET-250280 | £224.34 |
| | Soft Top Hood Frame Cover: Leather | Kit (1) | ET-250290-G | £303.50 |
| 72 | Tonneau Cover: PVC | Kit (1) | ET-250220 | £271.10 |
| | Tonneau Cover: Mohair | Kit (1) | ET-250230 | £369.63 |
| 73 | Soft Top Hood Hold Down Retaining Straps: Leather | Kit (2) | ET-250212-G | £79.58 |
| 74 | Soft Top Hood Rear Tacking Strip: Plastic | Kit (1) | ET-250210 | £37.22 |
| 75 | Soft Top Hood Webbing | Car Set | ET-250211 | £20.19 |
| 76 | Extra Material: PVC Hooding | per Metre | 99954001 | £22.75 |
| | Extra Material: Mohair Hooding | | 99954030 | £50.91 |
| 77 | Tenax Fasteners | Single | 011405 | £2.70 |
| 78 | Lift-The-Dot Fasteners | Single | 011414-15 | £2.31 |
| GLS | Basic Upholstery Glue: Spray | 500ml | 162770 | £13.48 |
| GLP | High Strength Contact Adhesive: Spreadable | 1 ltr | 162770-S | £29.40 |
| RAW | Extra Material: Vinyl | per Metre | 99948001 | £21.10 |
| | Extra Material: Moquette | | 99953001 | £53.70 |
| LTR | Extra Leather | 1/2 Hide | | Contact for Price |

* Prices for items listed here apply to Original Colours only. For a more detailed breakdown of pricing, including prices for Non-Original colours and alternative trim material options, please see Page 4 - Page 8. Prices correct at time of publication. John Skinner (Manufacturing) Ltd reserves the right to amend these prices at any time.

E-Type Catalogue

OTS S1 (3.8ltr) Non Flat Floor

Trimmed Panels

| Ref. | Description | Units | Trim Material | Part No. | Price (£) (Orig Col) | Price (£) (Non Orig Col) |
|------|--|---------|-------------------|-------------|-------------------------|-----------------------------|
| 01 | UnderDash Panels: Hardura <i>(RHD & LHD - only LHD version pictured)</i> | Kit (2) | Hardura | ET-251410 | £56.87 | |
| 02 | UnderDash Panels: Millboard <i>(RHD & LHD options - only LHD option pictured)</i> | Kit (3) | Millboard | ET-251430 | £53.70 | |
| 03 | Glove Cubby Box | Kit (1) | Flocked Millboard | ET-251460 | £61.57 | |
| 04 | Door Panels: Main | Kit (2) | Vinyl | ET-250300 | £149.30 | £161.99 |
| | | | Leather | ET-250302-G | £320.55 | £347.79 |
| 05 | Closing Rebate Panels | Kit (2) | Vinyl | ET-250430 | £149.30 | £161.99 |
| | | | Leather | ET-250432-G | £242.46 | £263.07 |
| 06 | Quarter B Post Panels | Kit (4) | Vinyl | ET-250420 | £185.42 | £201.18 |
| | | | Leather | ET-250422-G | £301.12 | £326.72 |
| 07 | Light Area Cover Panels | Kit (2) | Vinyl | ET-250460 | £103.37 | £112.16 |
| | | | Leather | ET-250462-G | £167.87 | £182.14 |
| 08 | Hood Frame Pivot Cover Panels | Kit (2) | Vinyl | ET-250450 | £95.20 | £103.29 |
| | | | Leather | ET-250452-G | £154.60 | £167.75 |

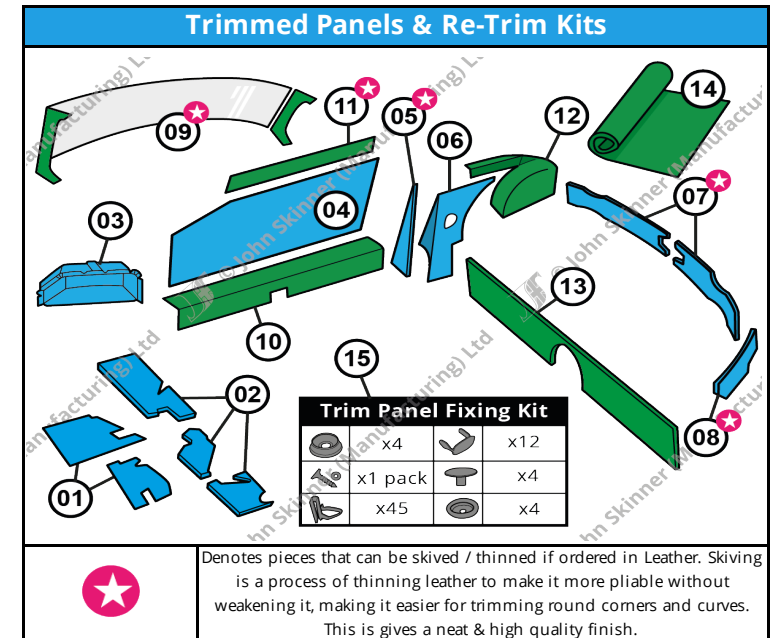
Re-Trim Kits

| | | | | | | |
|-----|---|---------|--------------|-------------|--------|--------|
| 09 | Windscreen Pillar Frame Re-Trim Kit | Kit (2) | Vinyl | ET-250410 | £21.44 | £23.26 |
| | | | Leather | ET-250412-G | £46.03 | £49.94 |
| 10 | Inner Sills Re-Trim Kit | Kit (4) | Vinyl | ET-250320 | £39.36 | £42.71 |
| | | | Leather | ET-250322-G | £84.51 | £91.69 |
| 11 | Upper Door Top Re-Trim Kit | Kit (2) | Vinyl | ET-250310 | £18.01 | £19.54 |
| | | | Leather | ET-250312-G | £38.67 | £41.95 |
| N/A | Door Pull Armrests Re-Trim Kit <i>(not pictured)</i> | Kit (2) | Vinyl | ET-250330 | £17.13 | £18.59 |
| | | | Leather | ET-250332-G | £36.78 | £39.90 |
| 12 | Wheel Arch Covers Re-Trim Kit | Kit (4) | Moquette | ET-250440 | £39.72 | £43.10 |
| | | | Leather | ET-250442-G | £77.42 | £84.00 |
| 13 | Lower Rear Bulkhead Re-Trim Kit | Kit (2) | Moquette | ET-250470 | £38.91 | £42.22 |
| | | | Leather | ET-250472-G | £77.42 | £84.00 |
| 14 | Spare Material | 1/2m | Vinyl | 99948001 | £10.55 | |
| | | | Moquette | 99953001 | £26.85 | |
| 15 | Trim Panel Fixing Kit | Car Set | Fixing Clips | ET-251480 | £28.58 | |

Optional Extra Items

| | | | | | | |
|------|---|-----------|------------------|-------------|-------------------|---------|
| E-01 | Main Dash Top Panel: Moulded | Kit (1) | Plastic | ET-251090 | £134.93 | |
| | Door Pull Armrests: Plastic & Chrome: Untrimmed | Kit (8) | Plastic & Chrome | ET-250340 | £123.34 | |
| E-02 | Door Pull Armrests: Plastic & Chrome: Fully Trimmed | Kit (2) | Vinyl | ET-250350 | £165.21 | £179.25 |
| | | | Leather | ET-250352-G | £193.67 | £210.13 |
| E-03 | Sunvisors | Kit (2) | PVC | ET-250270 | £98.48 | |
| GLS | Basic Upholstery Glue: Spray | 500ml | Glue | 162770 | £13.48 | |
| GLP | High Strength Contact Adhesive: Spreadable | 1 ltr | Glue | 162770-S | £29.40 | |
| RAW | Extra Material | per Metre | Vinyl | 99948001 | £21.10 | |
| | | | Moquette | 99953001 | £53.70 | |
| LTR | Extra Leather | 1/2 Hide | Leather | | Contact for Price | |

Please refer to Page 3 for illustrations of all Optional Extra Items



Prices correct at time of publication. John Skinner (Manufacturing) Ltd reserves the right to amend these prices at any time.

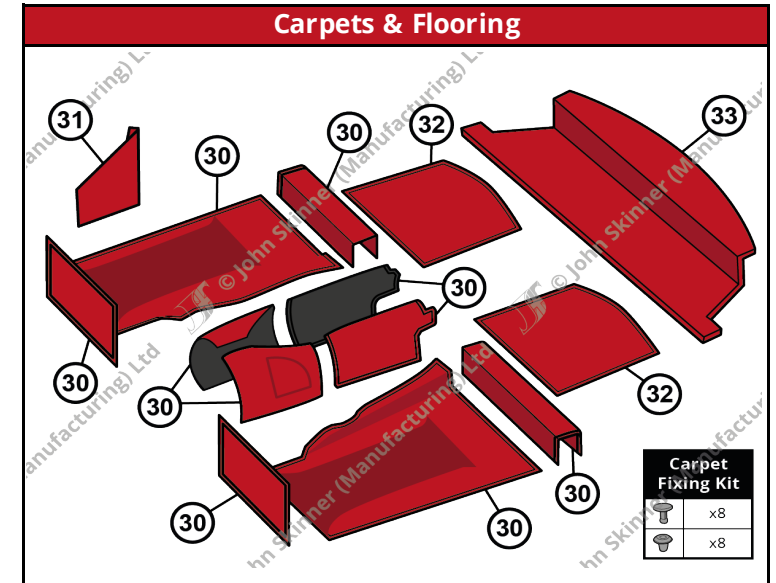
E-Type Catalogue

OTS S1 (3.8ltr) Non Flat Floor

Carpets & Flooring

| Ref. | Description | Units | Trim Material | Part No. | Price (£) (Orig Col) | Price (£) (Non Orig Col) |
|------|-----------------------------|----------|---------------|-------------------|-------------------------|-----------------------------|
| 30 | Carpet Set | Kit (11) | Wool | ET-261110 | £235.52 | £255.54 |
| | | | Wilton * | ET-261130 | Contact for Price | |
| | | | Felt-Backed | Contact for Price | | |
| N/A | Underfelt Soundproofing Kit | Kit (12) | Felt | ET-261170 | £58.57 | |
| | | | Dyno-Mat | ET-261171 | Contact for Price | |
| 31 | A Post Footwell Panels | Kit (2) | Hardura | ET-251200 | £51.76 | £56.16 |
| | | | Wool | ET-251202 | £119.15 | £129.28 |
| 32 | Underseat Panels | Kit (2) | Hardura | ET-261210 | £51.76 | £56.16 |
| | | | Wool | ET-261212 | £119.15 | £129.28 |
| 33 | Rear Bulkhead Panel | Kit (1) | Hardura | ET-261220 | £79.27 | £86.01 |
| | | | Wool | ET-261222 | £182.48 | £197.99 |
| 34 | Carpet Fixing Kit | Car Set | Fixing Clips | ET-251490 | £13.92 | |

*Note this is the official Wilton dense-pile carpet material as used in Rolls Royce and Bentley models. This should not be confused with our Wool (Woven Wool) which is often incorrectly referred to "Wilton" by other suppliers on the market. Please request samples for ultimate validation of these materials.



Optional Extra Items (for Carpets & Flooring)

| Ref. | Description | Units | Trim Material | Part No. | Price (£) (Orig Col) | Price (£) (Non Orig Col) |
|------|--|-----------|---------------|-------------------|-------------------------|-----------------------------|
| GLS | Basic Upholstery Glue: Spray | 500ml | Glue | 162770 | £13.48 | |
| GLP | High Strength Contact Adhesive: Spreadable | 1 ltr | Glue | 162770-S | £29.40 | |
| RAW | Extra Material by the Metre | per Metre | Hardura | 99952001 | £29.78 | |
| | | | Wool | 99950001 | £39.91 | |
| | | | Wilton | Contact for Price | | |
| | | | Felt-Backed | Contact for Price | | |

Please refer to Page 3 for illustrations of all Optional Extra Items

Prices correct at time of publication. John Skinner (Manufacturing) Ltd reserves the right to amend these prices at any time.

E-Type Catalogue

**OTS
S1 (3.8ltr) Non Flat Floor**

Seats & Console Area

| Ref. | Description | Units | Trim Material | Part No. | Price (£) (Orig Col) | Price (£) (Non Orig Col) |
|------|--|----------|-----------------|-------------|-------------------------|-----------------------------|
| 40 | Front Seat Cover Kit ("Bucket" Seat Style) | Kit (8) | Leather-Faced * | ET-250600-G | £706.57 | £766.63 |
| | | | Leather | ET-250700-G | £812.56 | £881.62 |
| 41 | Centre Console Re-Trim Kit ("Early" Style - as per the 3.8ltr models) | Kit (12) | Leather-Faced * | ET-251020-G | £125.24 | £135.89 |
| | | | Leather | ET-251030-G | £156.55 | £169.86 |
| 42 | Centre Console Re-Trim Kit ("Late" Style - as per the 4.2ltr models) | Kit (20) | Leather-Faced * | ET-271020-G | £140.26 | £152.18 |
| | | | Leather | ET-271030-G | £189.35 | £205.45 |

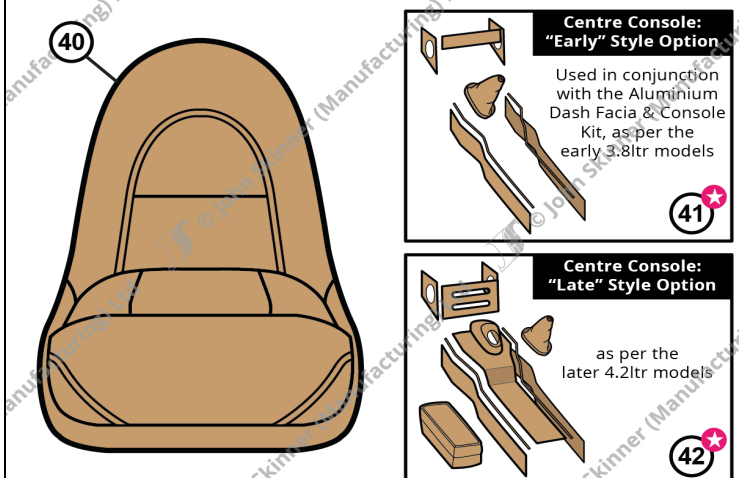
* Note that Seats & Centre Console were originally supplied in Leather with elements of Vinyl and Moquette, which we refer to as Leather-Faced. We can also offer full Leather options. Be aware that other suppliers often do not distinguish between Leather-Faced and Full Leather.

Optional Extra Items (for Seats & Console Area)

| Ref. | Description | Units | Trim Material | Part No. | Price (£) (Orig Col) | Price (£) (Non Orig Col) |
|------|-------------------------------------|-----------|---------------|-------------------|-------------------------|-----------------------------|
| E-06 | Dash Facia & Console Kit: Aluminium | Kit (1) | Aluminium | ET-251050 | £310.55 | |
| E-07 | Gear Lever Gaitor | Kit (1) | Leather | ET-251040-G | £27.68 | £30.03 |
| E-08 | Centre Console Lid | Kit (1) | Leather | ET-271024-G | £63.05 | £68.41 |
| E-09 | Front Seat Tacking Strip Kit | Kit (18) | Plywood | ET-251515 | £152.82 | |
| E-10 | Cushion & Backrest Diaphragms | Kit (6) | Rubber | ET-251511 | £43.47 | |
| E-11 | Front Seat Cushion Padding Kit | Kit (4) | Cut Foam | ET-251510 | £154.28 | |
| E-12 | Front Seat Backrest Padding Kit | Kit (16) | Cut Foam | ET-311520 | £61.50 | |
| SCU | Front Seat Clips (Small "U" Style) | Single | Fixing Clip | 011412 | £0.65 | |
| SCT | Front Seat Clips ("Tubular" Style) | Single | Fixing Clip | 011418 | £1.51 | |
| WAD | Seat Wadding Upholstery Materials | Kit (10m) | Wadding | 99955053 | £40.56 | |
| RAW | Extra Material by the Metre | per Metre | Vinyl | 99948001 | £21.10 | |
| | | | Moquette | 99953001 | £53.70 | |
| LTR | Extra Leather | 1/2 Hide | Leather | Contact for Price | | |

Please refer to Page 3 for illustrations of all Optional Extra Items

Seats & Console Area



Centre Console: "Early" Style Option
Used in conjunction with the Aluminium Dash Facia & Console Kit, as per the early 3.8ltr models

Centre Console: "Late" Style Option
as per the later 4.2ltr models

Denotes pieces that can be skived / thinned if ordered in Leather. Skiving is a process of thinning leather to make it more pliable without weakening it, making it easier for trimming round corners and curves. This gives a neat & high quality finish.

Prices correct at time of publication. John Skinner (Manufacturing) Ltd reserves the right to amend these prices at any time.

E-Type Catalogue

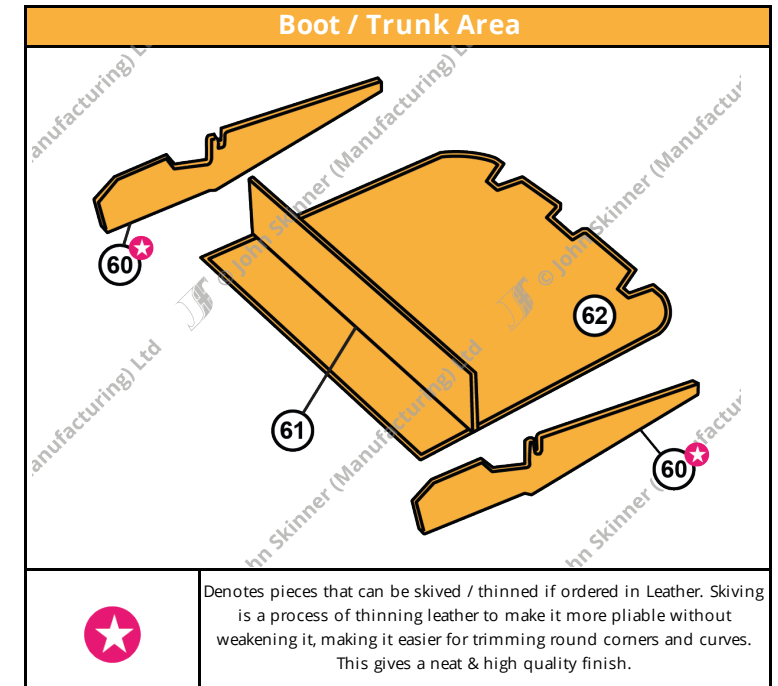
**OTS
S1 (3.8ltr) Non Flat Floor**

| Boot / Trunk Area | | | | | | |
|-------------------|----------------------------|---------|---------------|-------------|-------------------------|-----------------------------|
| Ref. | Description | Units | Trim Material | Part No. | Price (£) (Orig Col) | Price (£) (Non Orig Col) |
| 60 | Boot / Trunk Side Panels * | Kit (2) | Vinyl | ET-251320 | £63.03 | £68.39 |
| | | | Leather | ET-251324-G | £185.75 | £201.54 |
| | | | Wool | ET-251322 | £180.96 | £196.34 |
| 61 | Boot / Trunk Back Panel * | Kit (1) | Hardura | ET-261330 | £33.92 | £36.80 |
| | | | Wool | ET-261332 | £78.08 | £84.72 |
| 62 | Boot / Trunk Mat * | Kit (1) | Hardura | ET-251310 | £69.50 | £75.41 |
| | | | Wool | ET-251312 | £159.99 | £173.59 |

*** All Boot Items were originally supplied in Biscuit, regardless of main interior trim colour.**

| Optional Extra Items (for Boot / Trunk Area) | | | | | | |
|--|--|-----------|---------------|-------------------|-------------------------|-----------------------------|
| Ref. | Description | Units | Trim Material | Part No. | Price (£) (Orig Col) | Price (£) (Non Orig Col) |
| E-04 | Jack Bag | Kit (1) | Hardura | ET-251350 | £23.14 | |
| E-05 | Tool Storage Roll | Kit (1) | Hardura | ET-251340 | £44.41 | |
| GLS | Basic Upholstery Glue: Spray | 500ml | Glue | 162770 | £13.48 | |
| GLP | High Strength Contact Adhesive: Spreadable | 1 ltr | Glue | 162770-S | £29.40 | |
| RAW | Extra Material by the Metre | per Metre | Vinyl | 99948001 | £21.10 | |
| | | | Hardura | 99952001 | £29.78 | |
| | | | Wool | 99950001 | £39.91 | |
| LTR | Extra Leather | 1/2 Hide | Leather | Contact for Price | | |

Please refer to Page 3 for illustrations of all Optional Extra Items



Prices correct at time of publication. John Skinner (Manufacturing) Ltd reserves the right to amend these prices at any time.

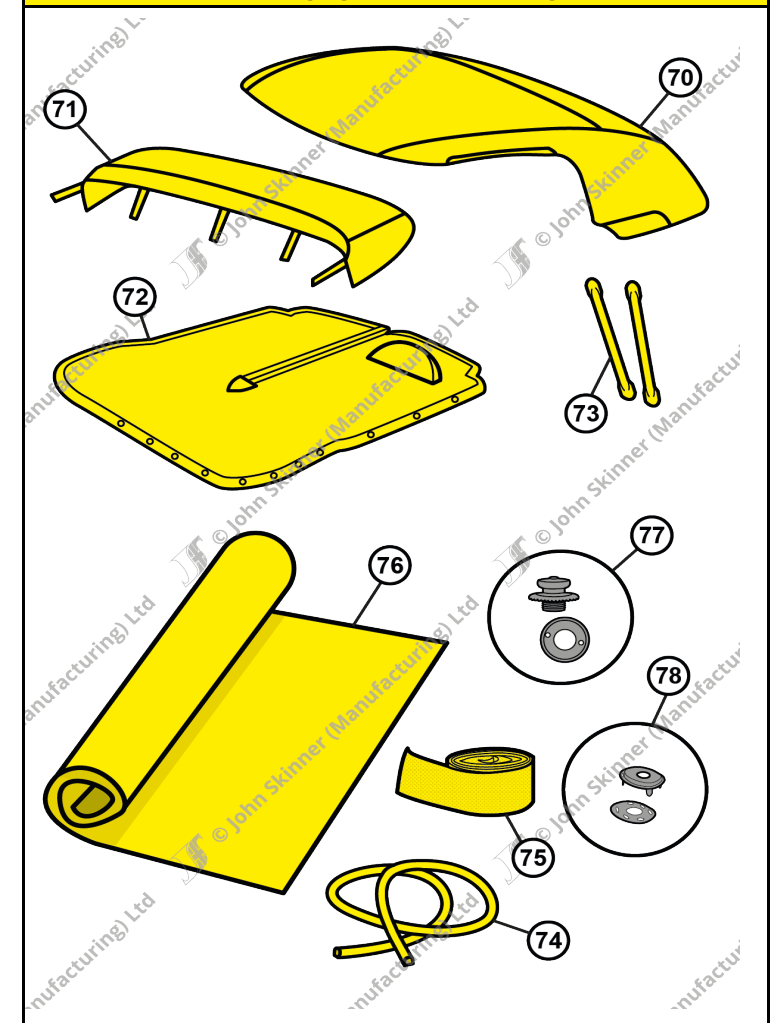
E-Type Catalogue

OTS
S1 (3.8ltr) Non Flat Floor

Weather Equipment / Hardtop Area

| Ref. | Description | Units | Trim Material | Part No. | Price (£) (Black) | Price (£) (Non-Black) |
|------|--|-----------|---------------|-------------|----------------------|--------------------------|
| 70 | Convertible Soft Top Hood | Kit (1) | PVC | ET-250250 | £271.96 | £301.33 |
| | | | Mohair | ET-250260 | £446.67 | £494.91 |
| 71 | Soft Top Hood Frame (Envelope) Cover (2 or 3 Straps) | Kit (1) | PVC | ET-250270 | £98.48 | £194.52 |
| | | | Mohair | ET-250280 | £224.34 | £248.57 |
| | | | Leather | ET-250290-G | £303.50 | £336.28 |
| 72 | Tonneau Cover (Very Rare) | Kit (1) | PVC | ET-250220 | £271.10 | £300.38 |
| | | | Mohair | ET-250230 | £369.63 | £406.59 |
| 73 | Soft Top Hood Hold Down Retaining Straps | Kit (2) | Leather | ET-250212-G | £79.58 | £88.17 |
| 74 | Soft Top Hood Rear Tacking Strip | Kit (1) | Plastic | ET-250210 | £37.22 | |
| 75 | Soft Top Hood Webbing <i>(available in Black, Grey or Beige. Price listed is for all colours)</i> | Car Set | Webbing | ET-250211 | £20.19 | |
| 76 | Extra Material by the Metre | per Metre | PVC | 99954001 | £22.75 | |
| | | | Mohair | 99954030 | £50.91 | |
| 77 | Tenax Fasteners - Female, 2 piece (includes Locking Washer) | Single | Fixing Clip | 011405 | £2.70 | |
| 78 | Lift-The-Dot Fasteners - Female, 2 piece | Single | Fixing Clip | 011414-15 | £2.31 | |

Weather Equipment / Hardtop Area



Prices correct at time of publication. John Skinner (Manufacturing) Ltd reserves the right to amend these prices at any time.