

Trim Manufacturers for  
1949-1989 Classic Cars



**Tel:** +44 (0)1242 230995

**Email:** [sales@john-skinner.co.uk](mailto:sales@john-skinner.co.uk)

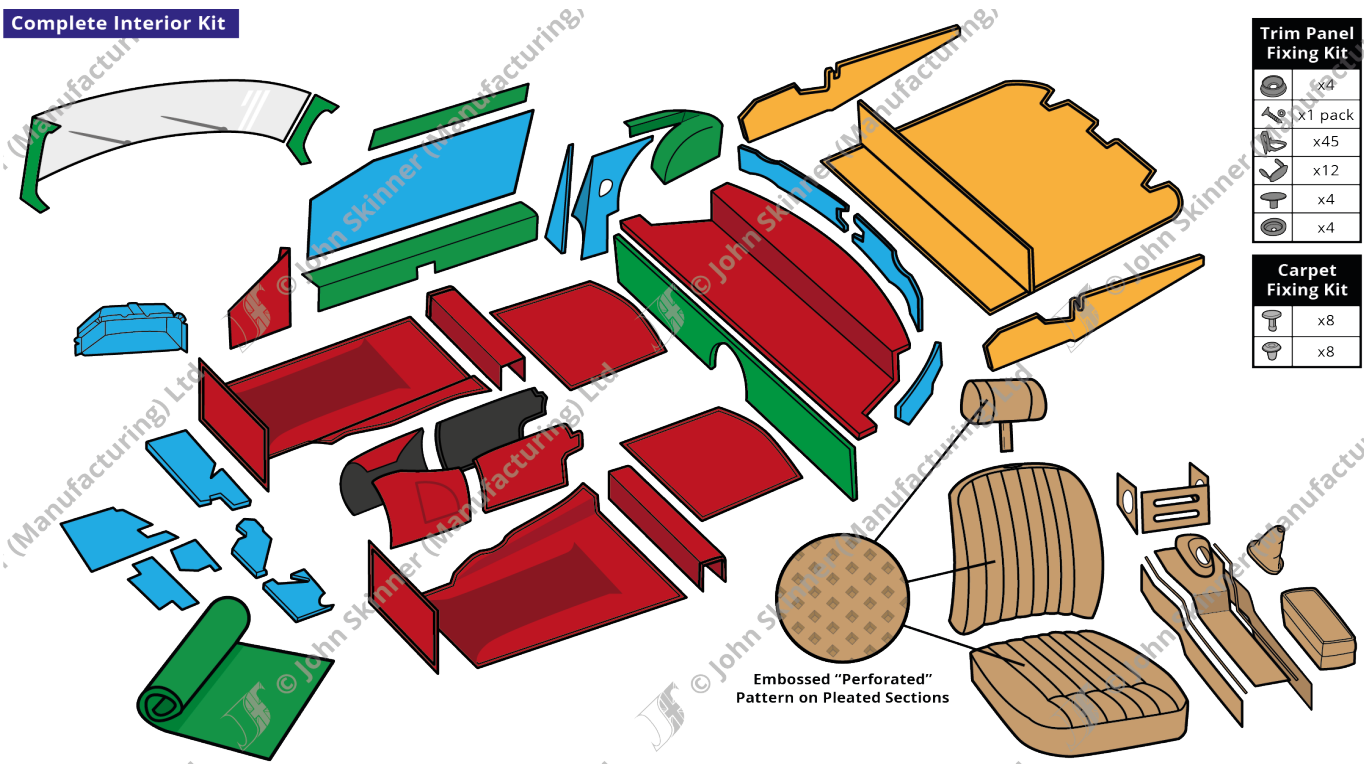
# E-Type OTS S2 (4.2ltr)

**Parts & Prices Catalogue**

**2019 Prices**

# E-Type Catalogue - Parts & Prices

## Complete Interior Kit



Trim Panel Fixing Kit	
	x4
	x1 pack
	x45
	x12
	x4
	x4

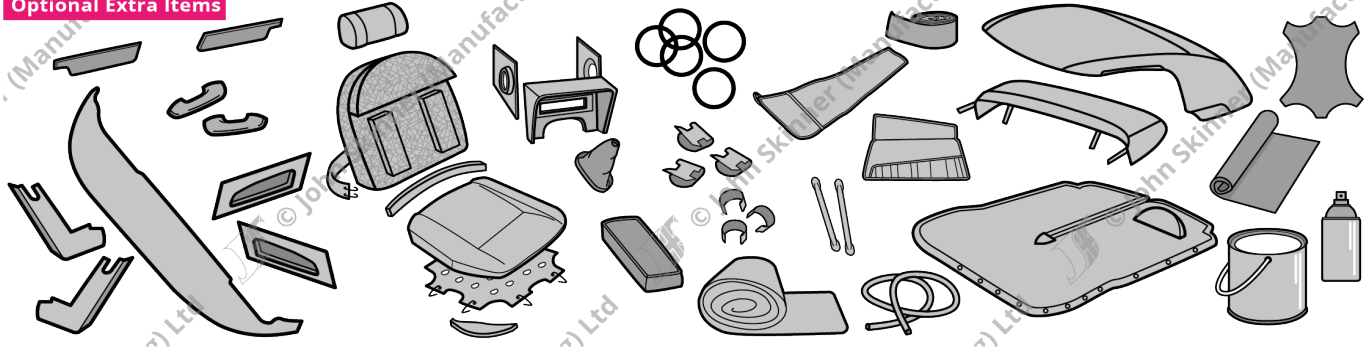
  

Carpet Fixing Kit	
	x8
	x8

Embossed "Perforated" Pattern on Pleated Sections

- Trimmed Panels
- Re-Trim Kits
- Carpets & Flooring
- Seats & Console Area
- Boot / Trunk Area
- Weather Equipment / Hardtop Area

## Optional Extra Items



## E-Type OTS Series 2 (4.2ltr)

All items illustrated (left) are available for purchase as below:

- for Complete Interior Kit pricing, see Page 3
- for Optional Extra Items pricing, see Page 4
- for Individual Parts pricing, see Page 5 - Page 9

Please note, it is cheaper to buy a Complete Interior Kit than purchase all the items individually.

Years of Manufacture: 1968 - 1970  
 Chassis Number Range:  
 RHD: 1R 1001 - 1R 1776 / LHD: 1R 7001 - 1R 14,853

## Original Trim Colours



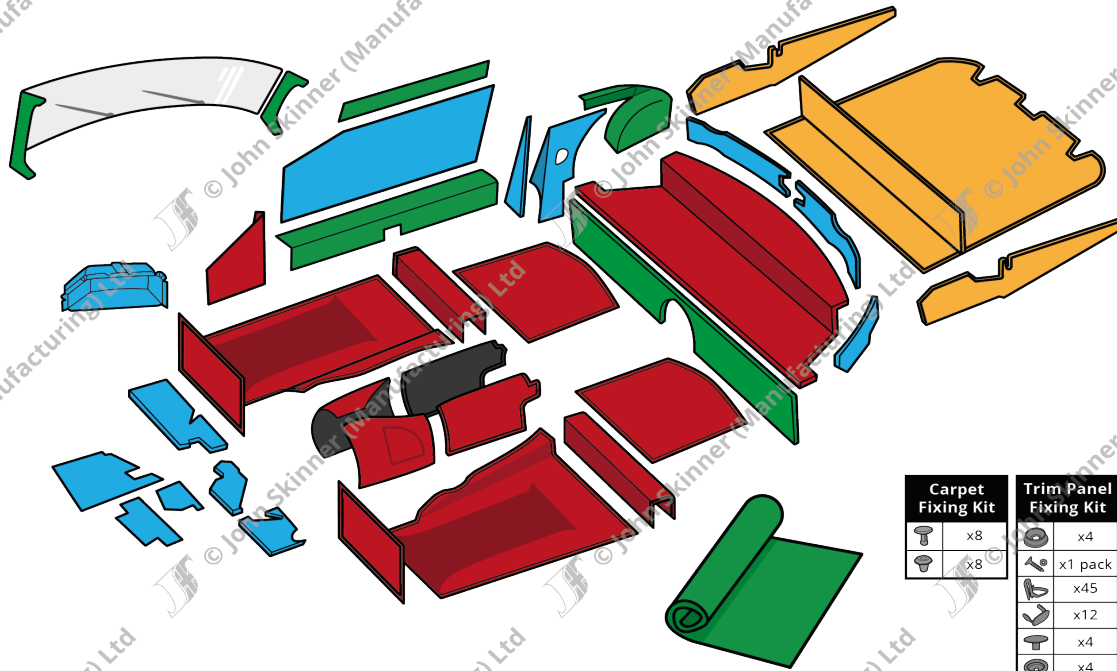
**Piping** - Jaguar E-Type (XK-E) models featured Piping made in the same colour as the main trim colour.

Samples are available on request. We recommend that you contact us for samples, as colours can be mis-represented on screen and in print.

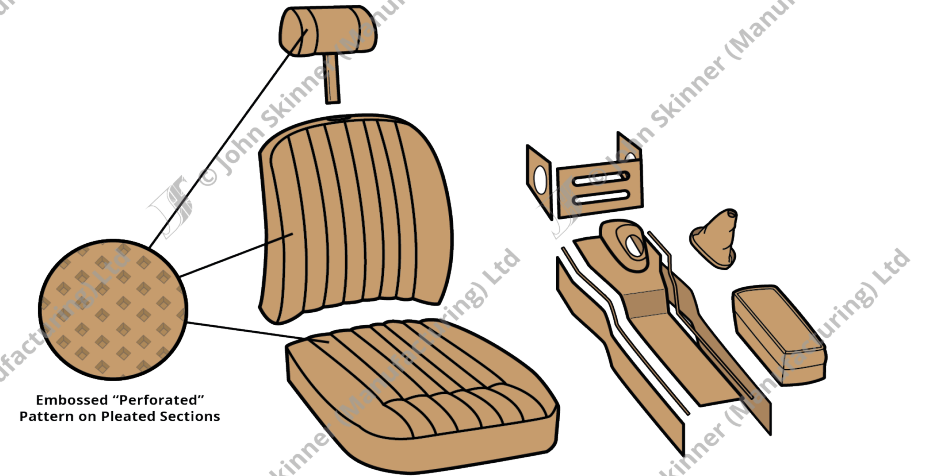
*The original trim colours as detailed here are correct to the best of our knowledge. Please contact us to discuss if you have additional information outside of this colour range.*

## Complete Interior Trim Kit

### Complete Interior Kit - Main Cockpit & Boot / Trunk Items



### Complete Interior Kit - Seat & Console Items



#### KEY

- Trimmed Panels
- Re-Trim Kits
- Carpets & Flooring
- Seats & Console Area
- Boot / Trunk Area
- Weather Equipment / Hardtop Area

### Price List for Complete Interior Kit

Description	Trim Material	Part No. (Orig. Col)	Price (£) (Orig Col)	Part No. (Non. Orig. Col)	Price (£) (Non Orig Col)
<b>Complete Interior Kit</b> (includes all items as illustrated above)	As Original	ET-290100	£2,205.27	ET-290101	£2,392.72
Additional Surcharge for Leather Parts (Non-Original) *	Leather	ET-270200	£1,341.68		

\* "Additional Surcharge for Leather" is based on any parts originally made in Vinyl or Leathercloth being replaced with Leather. All other materials (Wool, Moquette, Hardura etc) remain the same. Contact us to discuss prices for a more custom specification & bespoke package if required.

Optional Extra Items are available to purchase separately, see next page for more details & prices.

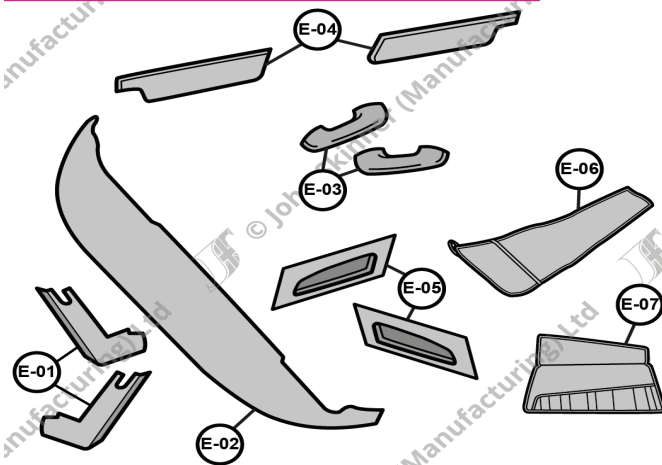
All items included in the Complete Trim Kit are also available to purchase individually. See Page 4 - Page 8 for prices.

All of the pricing options for "Leather" parts are for "Grained" Leather. For the "Smooth" Leather finish - please contact for accurate pricing, or use approximate 11% surcharge from the Grained Leather price for basic guide.

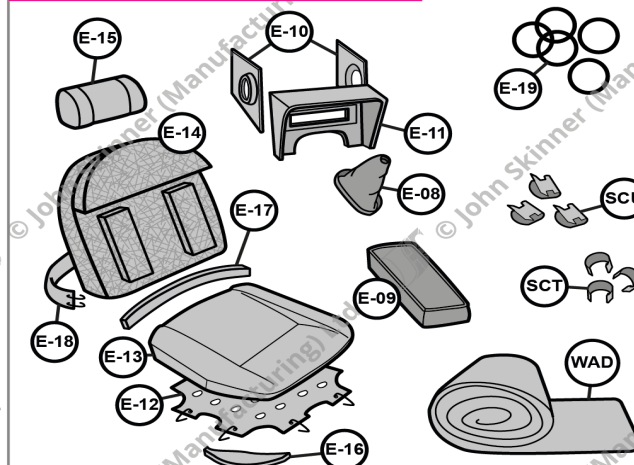
Prices correct at time of publication. John Skinner (Manufacturing) Ltd reserves the right to amend these prices at any time.

## Optional Extra Items

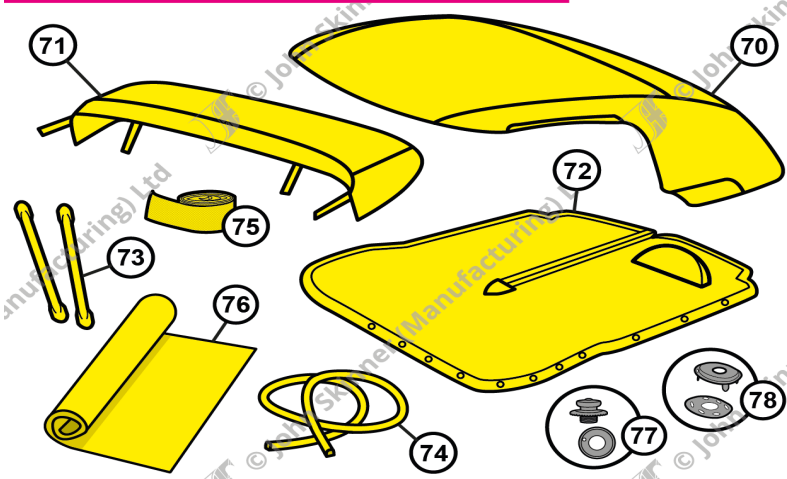
### Optional Extras: Main Cockpit & Boot / Trunk Area



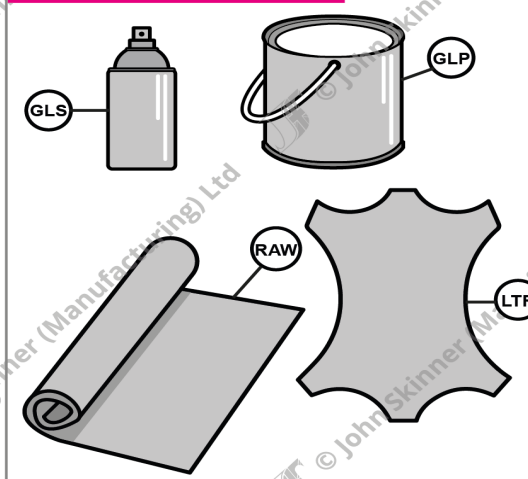
### Optional Extras: Seats & Console Area



### Optional Extras: Weather Equipment & Hardtop Area



### Optional Extras: Miscellaneous



### Price List for Optional Extra Items\*

No.	Description	Units	Part No.	Price (£)
E-01	Windscreen Pillar Frames: Moulded Plastic	Kit (2)	ET-290410	£77.24
E-02	Main Dash Top Panel: Moulded	Kit (1)	ET-251090	£134.93
	Door Pull Armrests: Moulded (Limited Colours)	Kit (2)	ET-290340	£134.93
E-03	Door Pull Armrests: Moulded & Fully Trimmed: Vinyl	Kit (2)	ET-290350	£206.51
	Door Pull Armrests: Moulded & Fully Trimmed: Leather	Kit (2)	ET-290352-G	£288.49
E-04	Sunvisors	Kit (2)	ET-250270	£98.48
E-05	Door Panel Inner Aperture: Moulded Plastic	Kit (2)	ET-280360	£43.63
E-06	Jack Bag	Kit (1)	ET-251350	£23.14
E-07	Tool Storage Roll	Kit (1)	ET-251340	£44.41
E-08	Gear Lever Gaitor	Kit (1)	ET-291460	£61.57
E-09	Centre Console Lid	Kit (1)	ET-271024-G	£63.05
E-10	Centre Console Speaker Panels: Moulded Plastic	Kit (2)	ET-291060	£92.25
E-11	Radio Facia Panel: Moulded Plastic	Kit (1)	ET-251080	£144.03
E-12	Front Seat Cushion Diaphragms	Kit (2)	ET-271511	£71.42
E-13	Front Seat Cushion Padding Kit	Kit (2)	ET-271510	£142.86
E-14	Front Seat Backrest Padding Kit	Kit (2)	ET-271520	£64.07
E-15	Headrest Cover Padding Kit	Kit (2)	ET-291525	£74.12
E-16	Front Seat Cushion Corners: Wood	Kit (2)	ET-271515	£17.62
E-17	Front Seat Backrest Tacking Strip Kit	Kit (2)	ET-281516	£32.45
E-18	Front Seat Backrest Lumber Straps	Kit (2)	ET-271513	£28.44
E-19	Front Seat Backrest Webbing Kit	Kit	ET-271512	£81.44
SCU	Front Seat Clips (Small "U" Style)	Single	011412	£0.65
SCT	Front Seat Clips ("Tubular" Style)	Single	011418	£1.51
WAD	Seat Wadding Upholstery Materials	Kit (10m)	99955053	£40.56
70	Convertible Soft Top Hood: PVC	Kit (1)	ET-250250	£271.96
	Convertible Soft Top Hood: Mohair	Kit (1)	ET-250260	£446.67
	Soft Top Hood Frame Cover: PVC	Kit (1)	ET-250270	£98.48
71	Soft Top Hood Frame Cover: Mohair	Kit (1)	ET-250280	£224.34
	Soft Top Hood Frame Cover: Leather	Kit (1)	ET-250290-G	£303.50
72	Tonneau Cover: PVC	Kit (1)	ET-250220	£271.10
	Tonneau Cover: Mohair	Kit (1)	ET-250230	£369.63
73	Soft Top Hood Hold Down Retaining Straps: Leather	Kit (2)	ET-250212-G	£79.58
74	Soft Top Hood Rear Tacking Strip: Plastic	Kit (1)	ET-250210	£37.22
75	Soft Top Hood Webbing	Car Set	ET-250211	£20.19
	Extra Material: PVC Hooding	per	99954001	£22.75
	Extra Material: Mohair Hooding	Metre	99954030	£50.91
77	Tenax Fasteners	Single	011405	£2.70
78	Lift-The-Dot Fasteners	Single	011414-15	£2.31
GLS	Basic Upholstery Glue: Spray	500ml	162770	£13.48
GLP	High Strength Contact Adhesive: Spreadable	1 ltr	162770-S	£29.40
	Extra Material: Vinyl	per Metre	99948001	£21.10
	Extra Material: Moquette	per Metre	99953001	£53.70
LTR	Extra Leather	1/2 Hide		Contact for Price

\* Prices for items listed here apply to Original Colours only. For a more detailed breakdown of pricing, including prices for Non-Original colours and alternative trim material options, please see Page 4 - Page 8.

Prices correct at time of publication. John Skinner (Manufacturing) Ltd reserves the right to amend these prices at any time.

# E-Type Catalogue

**OTS  
S2 (4.2ltr)**

## Trimmed Panels

Ref.	Description	Units	Trim Material	Part No.	Price (£) (Orig Col)	Price (£) (Non Orig Col)
01	UnderDash Panels: Hardura <i>(RHD &amp; LHD - only LHD version pictured)</i>	Kit (2)	Hardura	ET-271410	£56.87	
02	UnderDash Panels: Millboard <i>(RHD &amp; LHD options - only LHD option pictured)</i>	Kit (3)	Millboard	ET-281430	£53.70	
03	Glove Cubby Box	Kit (1)	Flocked Millboard	ET-291460	£61.57	
04	Door Panels: Main	Kit (2)	Vinyl	ET-290300	£149.30	£161.99
			Leather	ET-290302-G	£320.55	£347.79
05	Closing Rebate Panels	Kit (2)	Vinyl	ET-250430	£149.30	£161.99
			Leather	ET-250432-G	£242.46	£263.07
06	Quarter B Post Panels	Kit (4)	Vinyl	ET-250420	£185.42	£201.18
			Leather	ET-250422-G	£301.12	£326.72
07	Light Area Cover Panels	Kit (2)	Vinyl	ET-250460	£103.37	£112.16
			Leather	ET-250462-G	£167.87	£182.14
08	Hood Frame Pivot Cover Panels	Kit (2)	Vinyl	ET-250450	£95.20	£103.29
			Leather	ET-250452-G	£154.60	£167.75

## Re-Trim Kits (for Panels)

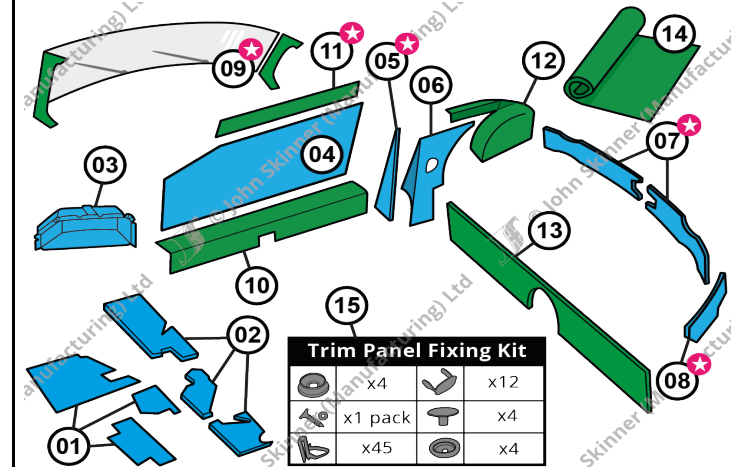
09	Windscreen Pillar Frame Re-Trim Kit	Kit (2)	Vinyl	ET-250410	£21.44	£23.26
			Leather	ET-250412-G	£46.03	£49.94
10	Inner Sills Re-Trim Kit	Kit (4)	Vinyl	ET-250320	£39.36	£42.71
			Leather	ET-250322-G	£84.51	£91.69
11	Upper Door Top Re-Trim Kit	Kit (2)	Vinyl	ET-250310	£18.01	£19.54
			Leather	ET-250312-G	£38.67	£41.95
N/A	Door Pull Armrests Re-Trim Kit ("S2 / S3" Version) <i>(not pictured)</i>	Kit (2)	Vinyl	ET-290330	£70.93	£76.96
			Leather	ET-290332-G	£152.29	£165.23
12	Wheel Arch Covers Re-Trim Kit	Kit (4)	Vinyl	ET-280440	£36.06	£39.13
			Leather	ET-250442-G	£77.42	£84.00
13	Lower Rear Bulkhead Re-Trim Kit	Kit (2)	Vinyl	ET-281470	£36.06	£39.13
			Leather	ET-250472-G	£77.42	£84.00
14	Spare Material	1/2m	Vinyl	99948001	£10.55	
			Moquette	99953001	£26.85	
15	Trim Panel Fixing Kit	Car Set	Fixing Clips	ET-251480	£28.58	

## Optional Extra Items

E-01	Windscreen Pillar Frames: Moulded Plastic	Kit (2)	Plastic	ET-290410	£77.24	
E-02	Main Dash Top Panel: Moulded	Kit (1)	Plastic	ET-251090	£134.93	
	Door Pull Armrests: Moulded (Limited Colours)	Kit (2)	Moulded	ET-290340	£134.93	
E-03	Door Pull Armrests: Moulded: Fully Trimmed	Kit (2)	Vinyl	ET-290350	£206.51	£224.06
		Kit (2)	Leather	ET-290352-G	£288.49	£313.02
E-04	Sunvisors	Kit (2)	PVC	ET-250270	£98.48	
E-05	Door Pull Inner Aperture Insert	Kit (2)	Moulded Plastic	ET-280360	£43.63	
GLS	Basic Upholstery Glue: Spray	500ml	Glue	162770	£13.48	
GLP	High Strength Contact Adhesive: Spreadable	1 ltr	Glue	162770-S	£29.40	
RAW	Extra Material	per Metre	Vinyl	99948001	£21.10	
			Moquette	99953001	£53.70	
LTR	Extra Leather	1/2 Hide	Leather			Contact for Price

Please refer to Page 3 for illustrations of all Optional Extra Items

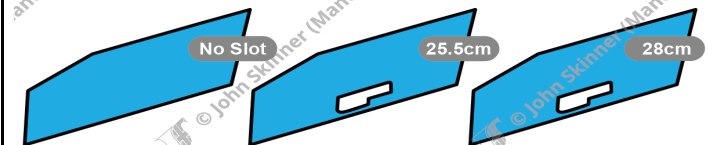
## Trimmed Panels & Re-Trim Kits



Denotes pieces that can be skived / thinned if ordered in Leather. Skiving is a process of thinning leather to make it more pliable without weakening it, making it easier for trimming round corners and curves. This gives a neat & high quality finish.

## Production Line Variations

### Front Door Panels



Prices correct at time of publication. John Skinner (Manufacturing) Ltd reserves the right to amend these prices at any time.

## E-Type Catalogue

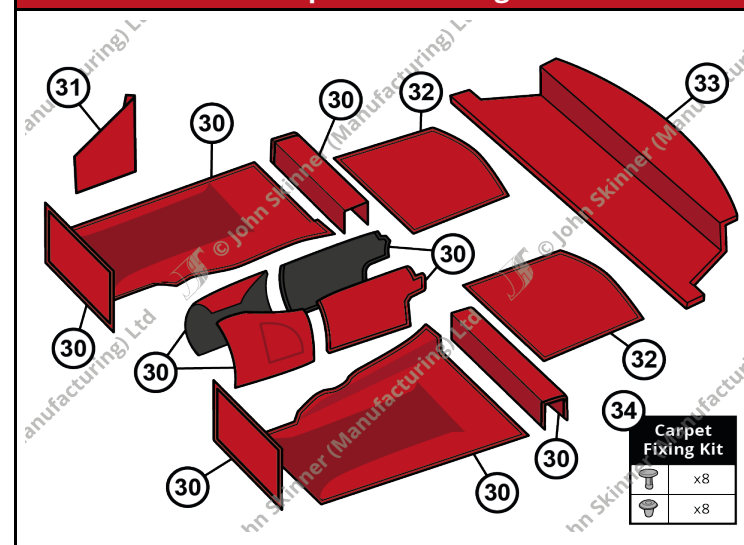
OTS  
S2 (4.2ltr)

### Carpets & Flooring

Ref.	Description	Units	Trim Material	Part No.	Price (£) (Orig Col)	Price (£) (Non Orig Col)
30	Carpet Set	Kit (11)	Wool	ET-261110	£235.52	£255.54
			Wilton *	ET-261130	Contact for Price	
			Felt-Backed	Contact for Price		
N/A	Underfelt Soundproofing Kit	Kit (8)	Felt	ET-261170	£58.57	
			Dyno-Mat	ET-261171	Contact for Price	
31	A Post Footwell Panels	Kit (2)	Hardura	ET-271200	£51.76	£56.16
			Wool	ET-271202	£119.15	£129.28
32	Underseat Panels	Kit (2)	Hardura	ET-261210	£51.76	£56.16
			Wool	ET-261212	£119.15	£129.28
33	Rear Bulkhead Panel	Kit (1)	Hardura	ET-261220	£79.27	£86.01
			Wool	ET-261222	£182.48	£197.99
34	Carpet Fixing Kit	Car Set	Fixing Clips	ET-251490	£13.92	

\*Note this is the official Wilton dense-pile carpet material as used in Rolls Royce and Bentley models. This should not be confused with our Wool (Woven Wool) which is often incorrectly referred to "Wilton" by other suppliers on the market. Please request samples for ultimate validation of these materials.

### Carpets & Flooring



### Optional Extra Items (for Carpets & Flooring)

Ref.	Description	Units	Trim Material	Part No.	Price (£) (Orig Col)	Price (£) (Non Orig Col)
GLS	Basic Upholstery Glue: Spray	500ml	Glue	162770	£13.48	
GLP	High Strength Contact Adhesive: Spreadable	1 ltr	Glue	162770-S	£29.40	
RAW	Extra Material by the Metre	per Metre	Hardura	99952001	£29.78	
			Wool	99950001	£39.91	
			Wilton	Contact for Price		
			Felt-Backed	Contact for Price		

Please refer to Page 3 for illustrations of all Optional Extra Items

Prices correct at time of publication. John Skinner (Manufacturing) Ltd reserves the right to amend these prices at any time.

# E-Type Catalogue

**OTS  
S2 (4.2ltr)**

## Seats & Console Area

Ref.	Description	Units	Trim Material	Part No.	Price (£) (Orig Col)	Price (£) (Non Orig Col)
40	Front Seat Cover Kit (Embossed "Perforated" Pleated Leather Sections)	Kit (4)	Leather-Faced *	ET-290600-G	£770.44	£835.93
			Leather	ET-290700-G	£886.01	£961.32
41	Headrest Cover Kit: Plain Leather	Kit (2)	Leather	ET-290620-G	£95.63	£103.76
	Headrest Cover Kit: "Perforated" Leather	Kit (2)		ET-290630-G	£104.79	£113.70
42	Centre Console Re-Trim Kit	Kit (20)	Leather-Faced *	ET-271020-G	£140.26	£152.18
			Leather	ET-271030-G	£189.35	£205.45

\* Note that Seats & Centre Console were originally supplied in Leather with elements of Vinyl / Moquette, which we refer to as Leather-Faced. We can also offer full Leather options. Be aware that other suppliers often do not distinguish between Leather-Faced and Full Leather.

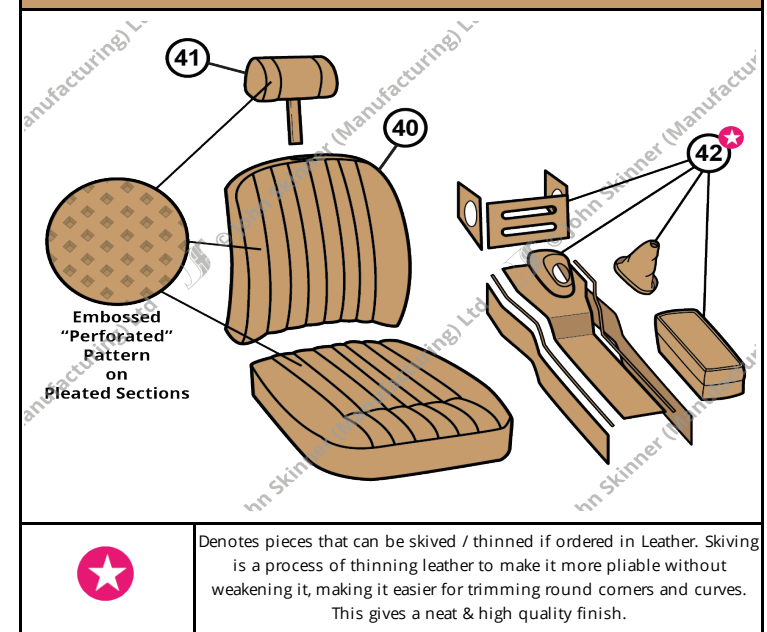
## Optional Extra Items (for Seats & Console Area)

Ref.	Description	Units	Trim Material	Part No.	Price (£) (Orig Col)	Price (£) (Non Orig Col)
E-08	Gear Lever Gaitor	Kit (1)	Leather	ET-271040-G	£27.68	£30.03
E-09	Centre Console Lid	Kit (1)	Leather	ET-271024-G	£63.05	£68.41
E-10	Centre Console Speaker Panels	Kit (2)	Moulded Plastic	ET-291060	£92.25	
E-11	Radio Facia Panel	Kit (1)	Moulded Plastic	ET-251080	£144.03	
E-12	Front Seat Cushion Diaphragms	Kit (2)	Rubber	ET-271511	£71.42	
E-13	Front Seat Cushion Padding Kit	Kit (2)	Moulded Foam	ET-271510	£142.86	
E-14	Front Seat Backrest Padding Kit	Kit (2)	Horsehair	ET-271520	£64.07	
E-15	Headrest Cover Padding Kit	Kit (2)	Moulded Foam	ET-291525	£74.12	
E-16	Front Seat Cushion Corners: Wood	Kit (2)	Plywood	ET-271515	£17.62	
E-17	Front Seat Backrest Tacking Strip Kit	Kit (2)	Plywood	ET-281516	£32.45	
E-18	Front Seat Backrest Lumber Straps	Kit (2)	Rubber	ET-271513	£28.44	
E-19	Front Seat Backrest Webbing Kit	Kit	Rubber	ET-271512	£81.44	
SCU	Front Seat Clips (Small "U" Style)	Single	Fixing Clip	011412	£0.65	
SCT	Front Seat Clips ("Tubular" Style)	Single	Fixing Clip	011418	£1.51	
WAD	Seat Wadding Upholstery Materials	Kit (10m)	Wadding	99955053	£40.56	
RAW	Extra Material by the Metre	per Metre	Vinyl	99948001	£21.10	
			Moquette	99953001	£53.70	
LTR	Extra Leather	1/2 Hide	Leather	Contact for Price		

Please refer to Page 3 for illustrations of all Optional Extra Items

Prices correct at time of publication. John Skinner (Manufacturing) Ltd reserves the right to amend these prices at any time.

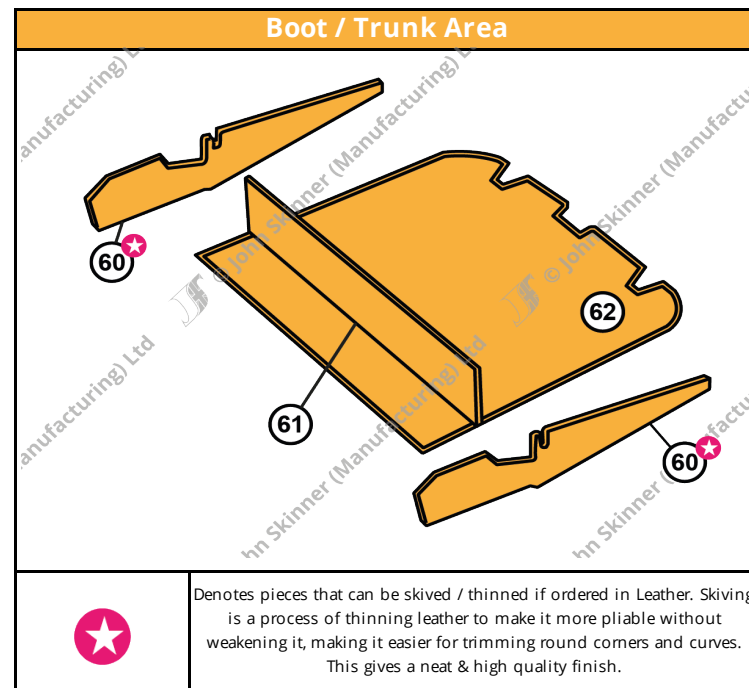
## Seats & Console Area



# E-Type Catalogue

**OTS  
S2 (4.2ltr)**

Boot / Trunk Area						
Ref.	Description	Units	Trim Material	Part No.	Price (£) (Orig Col)	Price (£) (Non Orig Col)
60	Boot / Trunk Side Panels *	Kit (2)	Vinyl	ET-251320	£63.03	£68.39
			Leather	ET-251324-G	£185.75	£201.54
			Wool	ET-251322	£180.96	£196.34
61	Boot / Trunk Back Panel *	Kit (1)	Hardura	ET-261330	£33.92	£36.80
			Wool	ET-261332	£78.08	£84.72
62	Boot / Trunk Mat *	Kit (1)	Hardura	ET-251310	£69.50	£75.41
			Wool	ET-251312	£159.99	£173.59
* All Boot Items were originally supplied in Biscuit, regardless of main interior trim colour.						
Optional Extra Items (for Boot / Trunk Area)						
Ref.	Description	Units	Trim Material	Part No.	Price (£) (Orig Col)	Price (£) (Non Orig Col)
E-06	Jack Bag	Kit (1)	Hardura	ET-251350	£23.14	
E-07	Tool Storage Roll	Kit (1)	Hardura	ET-251340	£44.41	
GLS	Basic Upholstery Glue: Spray	500ml	Glue	162770	£13.48	
GLP	High Strength Contact Adhesive: Spreadable	1 ltr	Glue	162770-S	£29.40	
RAW	Extra Material by the Metre	per Metre	Vinyl	99948001	£21.10	
			Hardura	99952001	£29.78	
			Wool	99950001	£39.91	
LTR	Extra Leather	1/2 Hide	Leather	Contact for Price		
Please refer to Page 3 for illustrations of all Optional Extra Items						



Prices correct at time of publication. John Skinner (Manufacturing) Ltd reserves the right to amend these prices at any time.



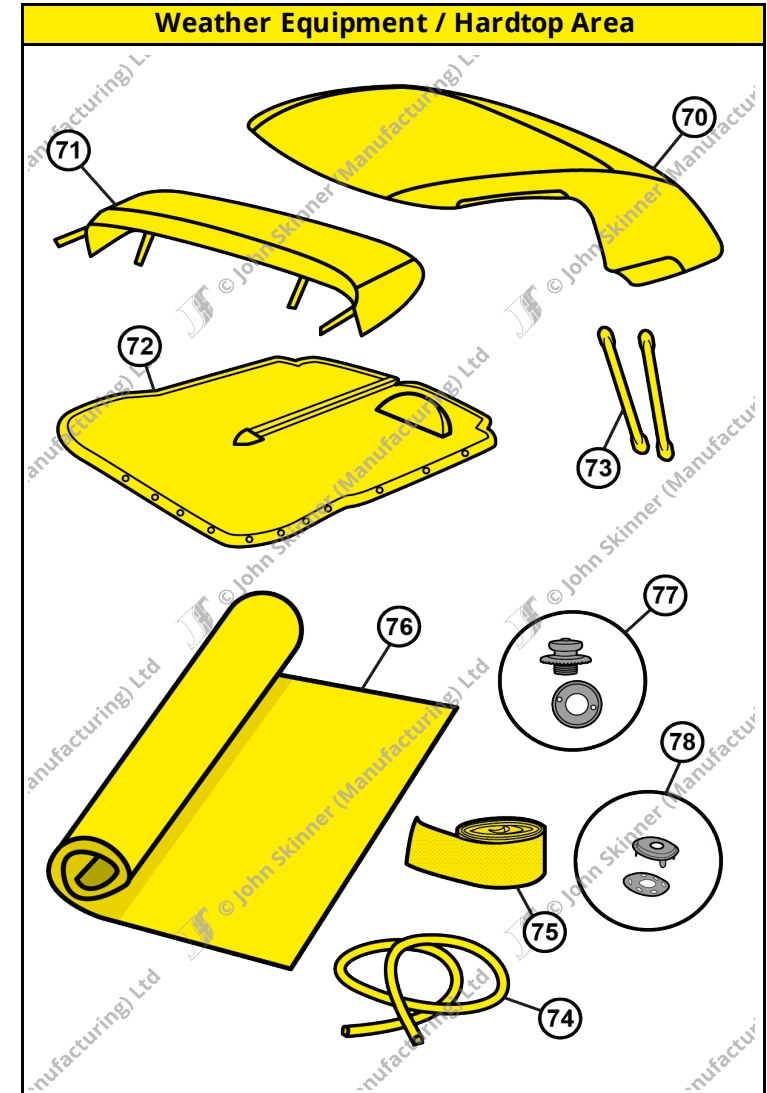
# E-Type Catalogue

OTS  
S2 (4.2ltr)

## Weather Equipment / Hardtop Area

Ref.	Description	Units	Trim Material	Part No.	Price (£) (Black)	Price (£) (Non-Black)
70	Convertible Soft Top Hood	Kit (1)	PVC	ET-250250	£271.96	£301.33
			Mohair	ET-250260	£446.67	£494.91
71	Soft Top Hood Frame (Envelope) Cover <i>(Lap Seat Belts or Over-Shoulder Seat Belts)</i>	Kit (1)	PVC	ET-270270	£175.56	£194.52
			Mohair	ET-270280	£224.34	£248.57
			Leather	ET-270290-G	£303.50	£336.28
72	Tonneau Cover <b>(Very Rare)</b>	Kit (1)	PVC	ET-250220	£271.10	£300.38
			Mohair	ET-250230	£369.63	£406.59
73	Soft Top Hood Hold Down Retaining Straps	Kit (2)	Leather	ET-250212-G	£79.58	£88.17
74	Soft Top Hood Rear Tacking Strip	Kit (1)	Plastic	ET-250210	£37.22	
75	Soft Top Hood Webbing <i>(available in Black, Grey or Beige. Price listed is for all colours)</i>	Car Set	Webbing	ET-250211	£20.19	
76	Extra Material by the Metre	per Metre	PVC	99954001	£22.75	
			Mohair	99954030	£50.91	
77	Tenax Fasteners - Female, 2 piece <i>(includes Locking Washer)</i>	Single	Fixing Clip	011405	£2.70	
78	Lift-The-Dot Fasteners - Female, 2 piece	Single	Fixing Clip	011414-15	£2.31	

## Weather Equipment / Hardtop Area



Prices correct at time of publication. John Skinner (Manufacturing) Ltd reserves the right to amend these prices at any time.